

ROGERS ENGINEERING
 558 S.E. Jackson St.
 Roseburg, OR 97470
 Ph. 541-672-0315
 Fax 541-672-1787

ROSEBURG URBAN SANITARY AUTHORITY
 3485 W. GOECKE AVE. ROSEBURG, OR 97471
 BIOSOLIDS BUILDING ADDITION 541-672-1551

DRAWN : T.R. CHECKED : T.R.

DATE : JULY 12, 2019

SCALE : AS NOTED

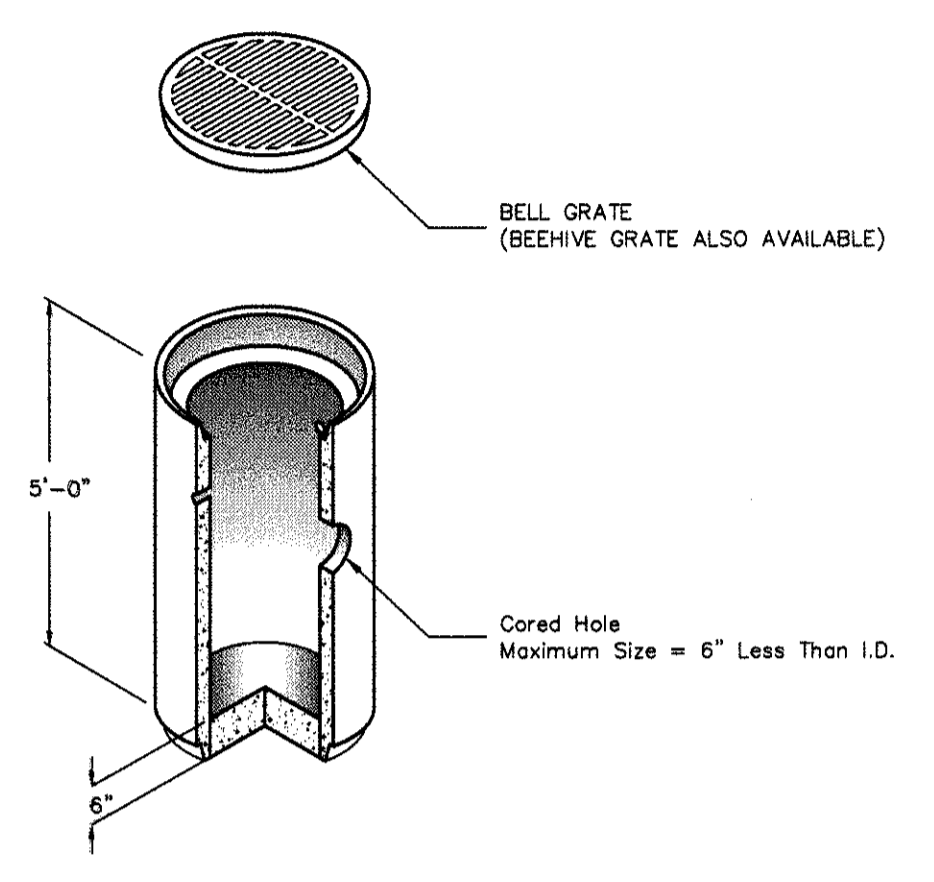
JOB NO. : 18-013

SHEET

C-1

AREA DRAIN

AREA DRAIN - DIMENSIONAL DATA							
INSIDE DIAMETER (in.)	OUTSIDE DIAMETER (in.)	WALL THICKNESS (in.)	GRATE DIAMETER (in.)	GRATE THICKNESS PER FOOT (in.)	WEIGHT (lbs.)	BASE SLAB HOLE SIZE (in.)	MAXIMUM HOLE SIZE (in.)
24"	30"	3"	27 1/2"	2 1/8"	255 lbs.	235 lbs.	18"

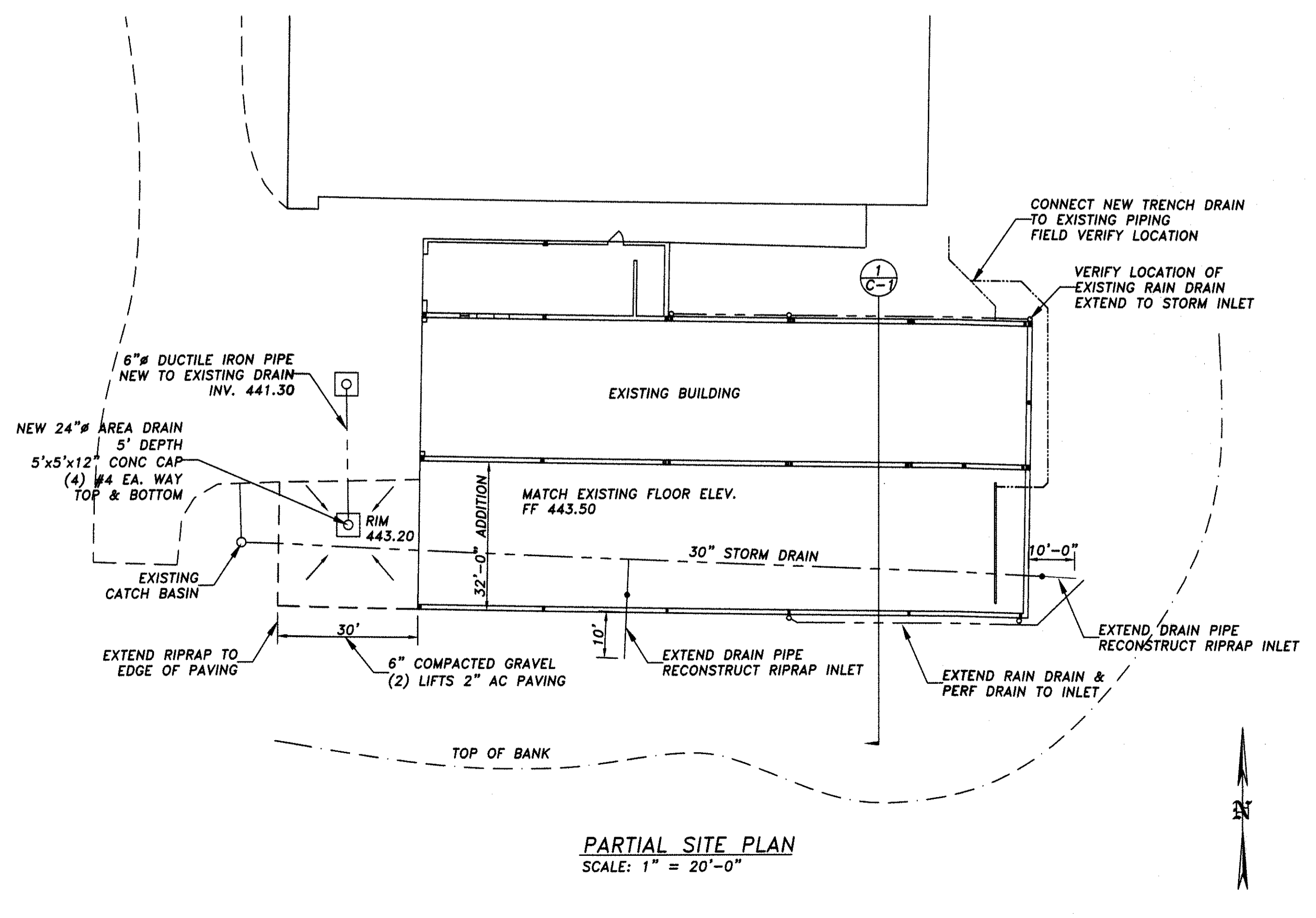
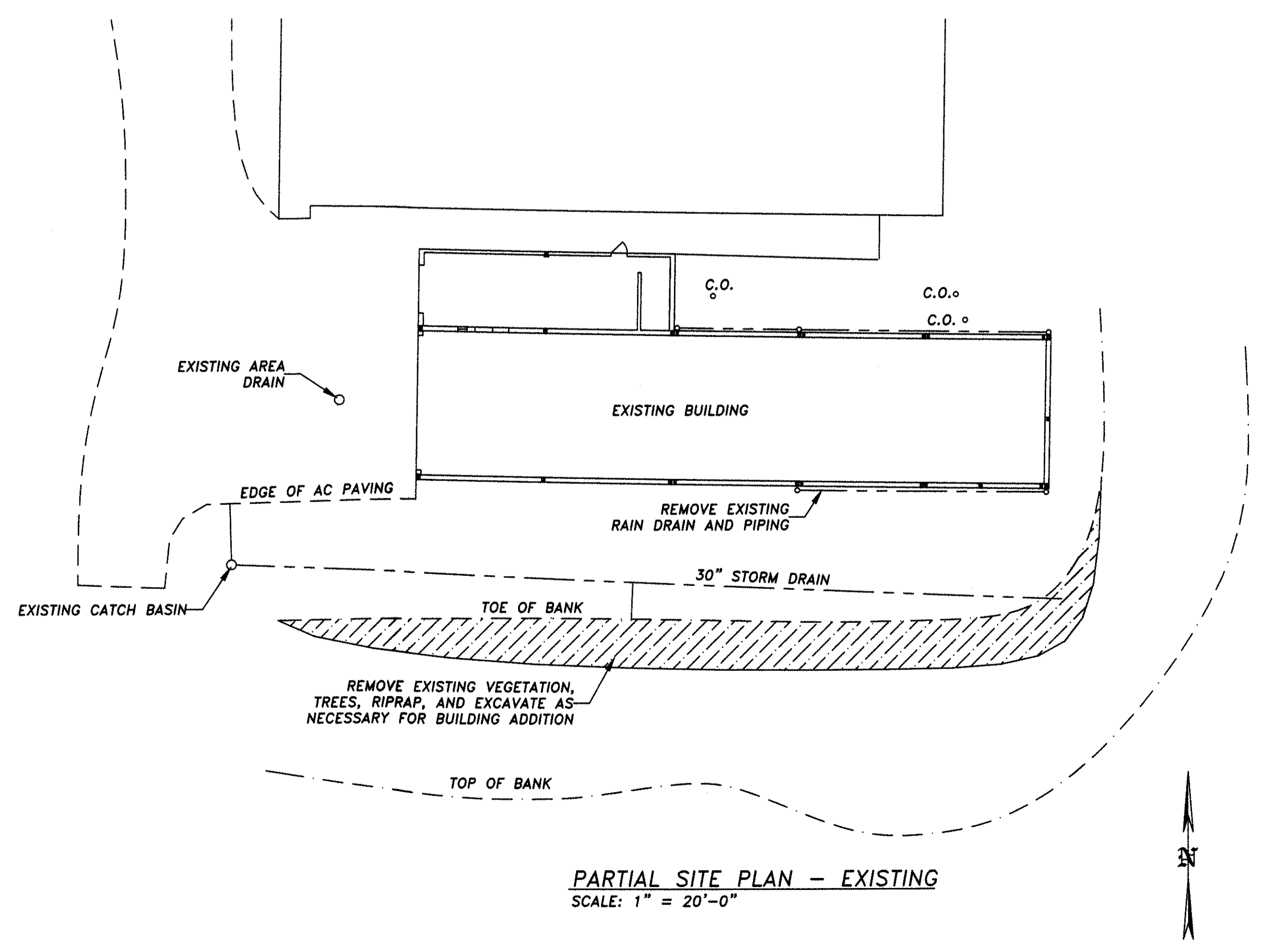
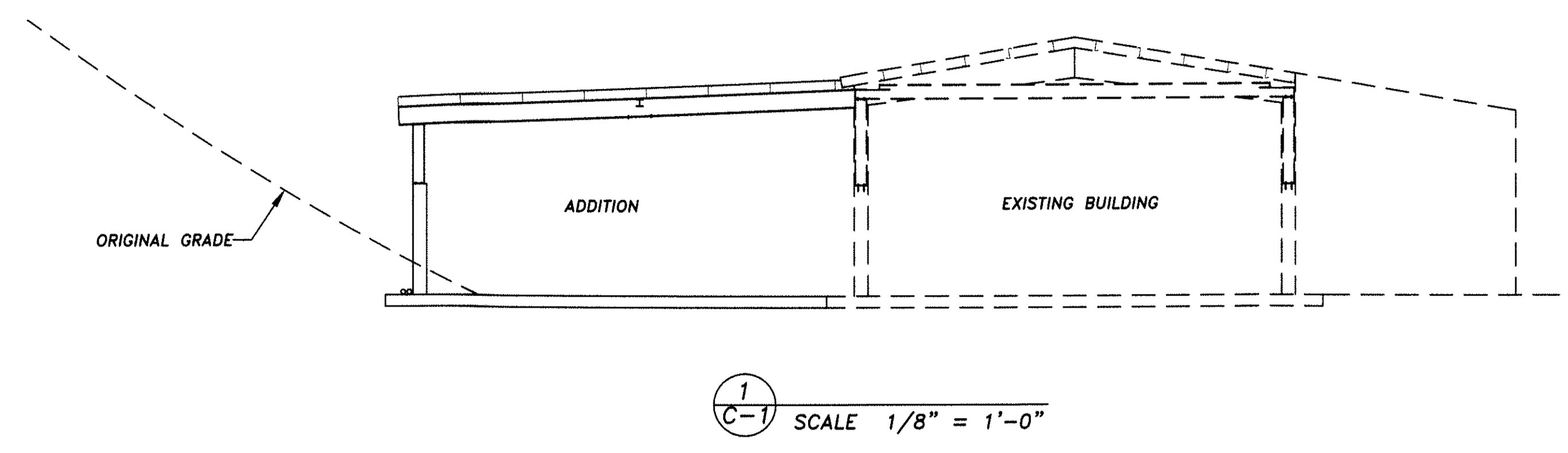


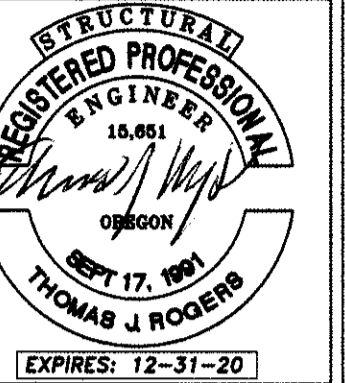
SHEET INDEX	
C-1	PARTIAL SITE PLAN
A-1	FLOOR PLAN & ELEVATIONS
A-2	BUILDING SECTIONS
S-1	FOUNDATION PLAN & DETAILS
S-2	ROOF FRAMING PLAN & DETAILS
S-3	DETAILS

NOTES:
 1. GRATE SETS INTO GROOVE RECESS.

 PO Box 323, Wilsonville, Oregon 97070-0323 Tel: (503) 682-2944 Fax: (503) 682-2657 oldcastleprecast.com/wilsonville	AREA DRAIN	AREA DRAIN
	File Name: 020-AREA-DRAIN Issue Date: 2019 oldcastleprecast.com/wilsonville	

21.0





ROGERS ENGINEERING
 558 S.E. Jackson St.
 Roseburg, OR 97470
 Ph. 541-672-0315
 Fax 541-672-1787

ROSEBURG URBAN SANITARY AUTHORITY
 3485 W. GEODECK AVE ROSEBURG, OR 97471
 BIOSOLIDS BUILDING ADDITION 541-672-1551

DRAWN : T.R. CHECKED : T.R.

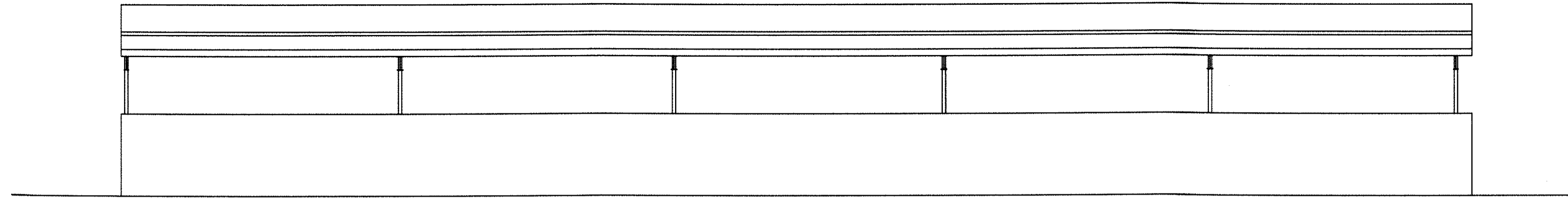
DATE : JULY 12, 2019

SCALE : AS NOTED

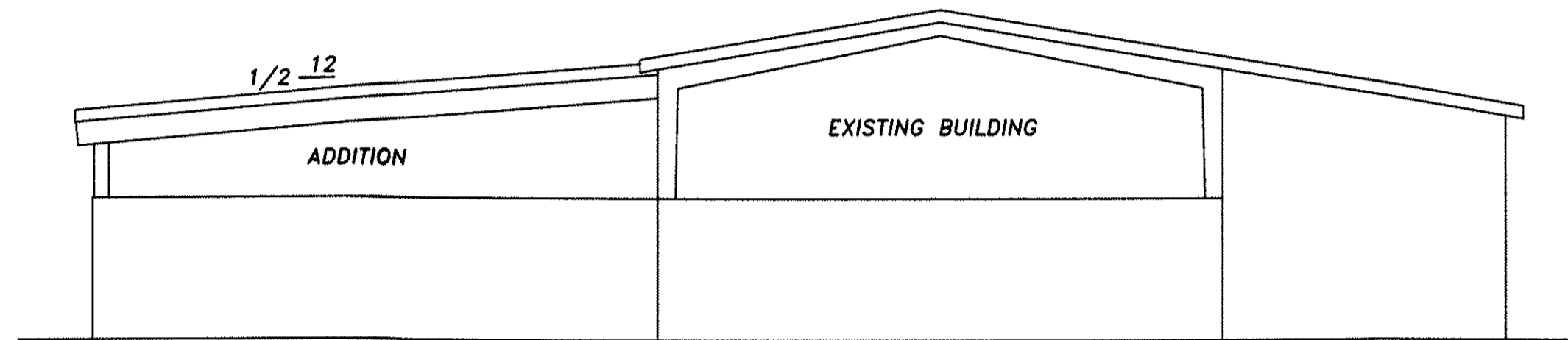
JOB NO. : 18-013

SHEET

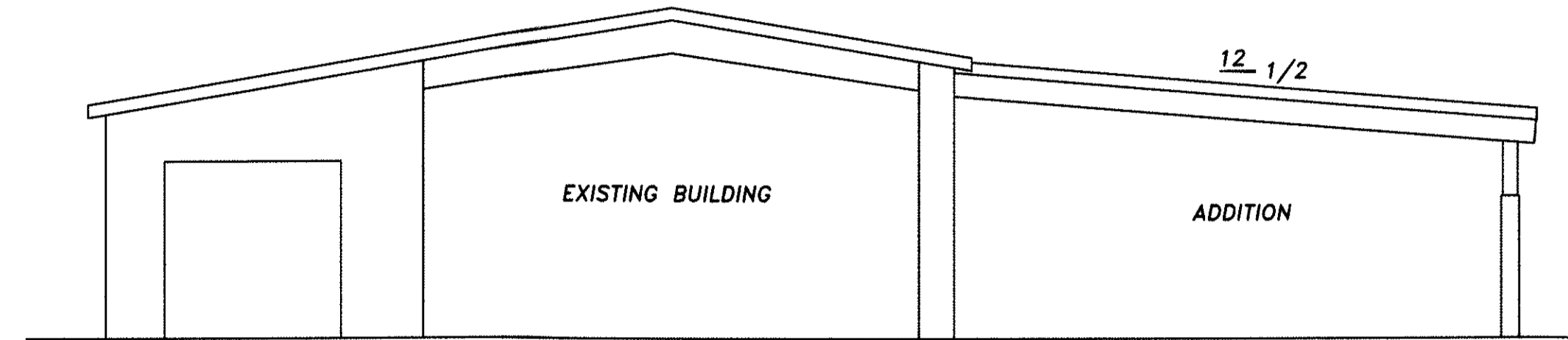
A-1



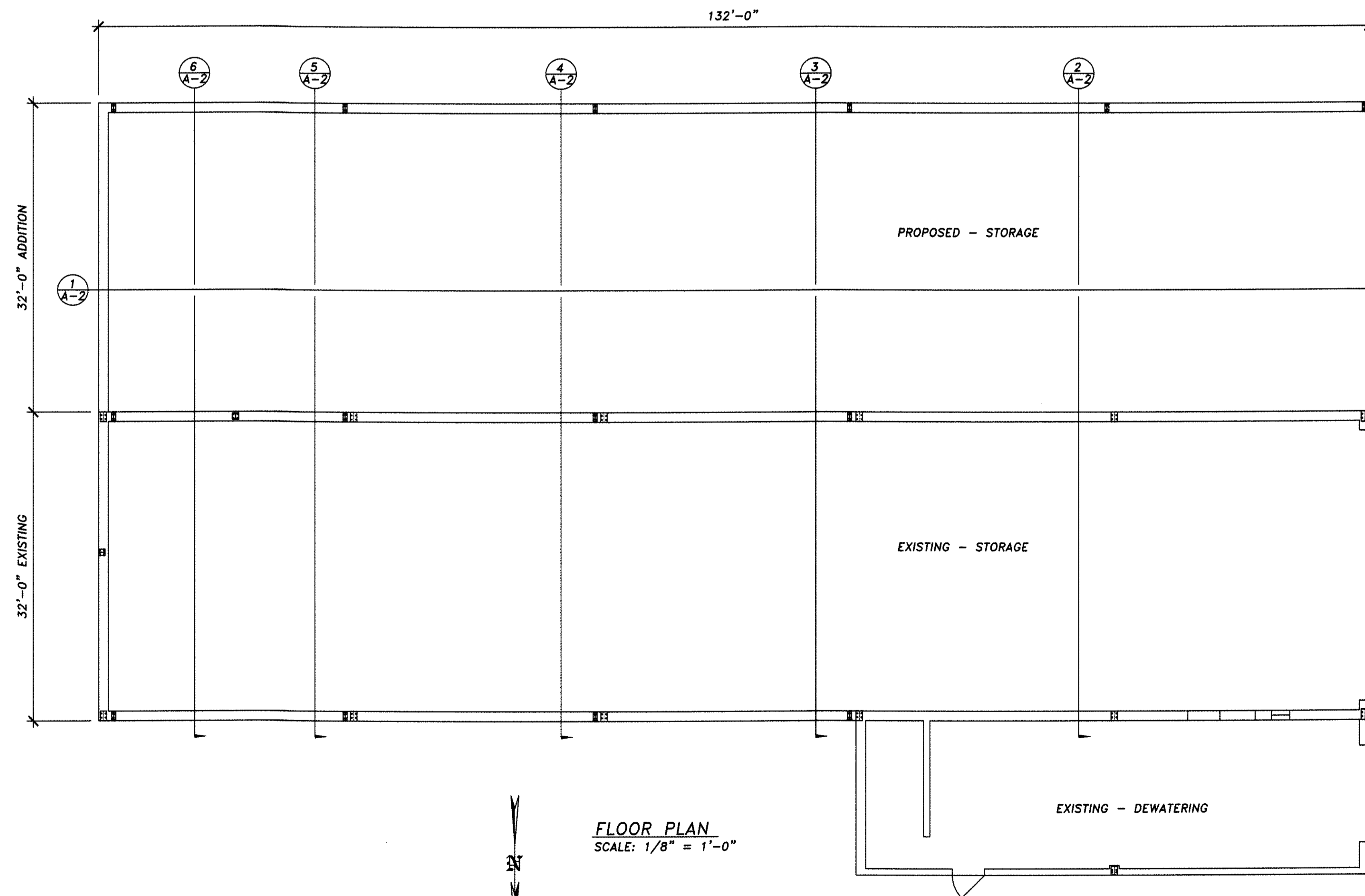
SOUTH ELEVATION
 SCALE: 1/8" = 1'-0"



EAST ELEVATION
 SCALE: 1/8" = 1'-0"

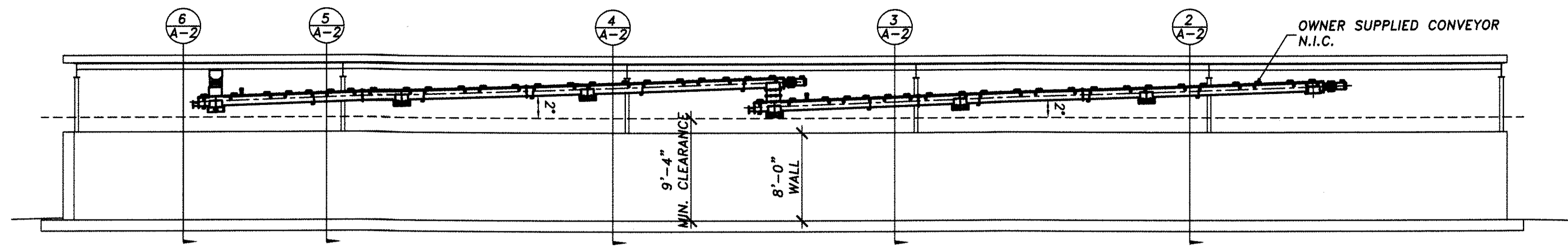


WEST ELEVATION
 SCALE: 1/8" = 1'-0"

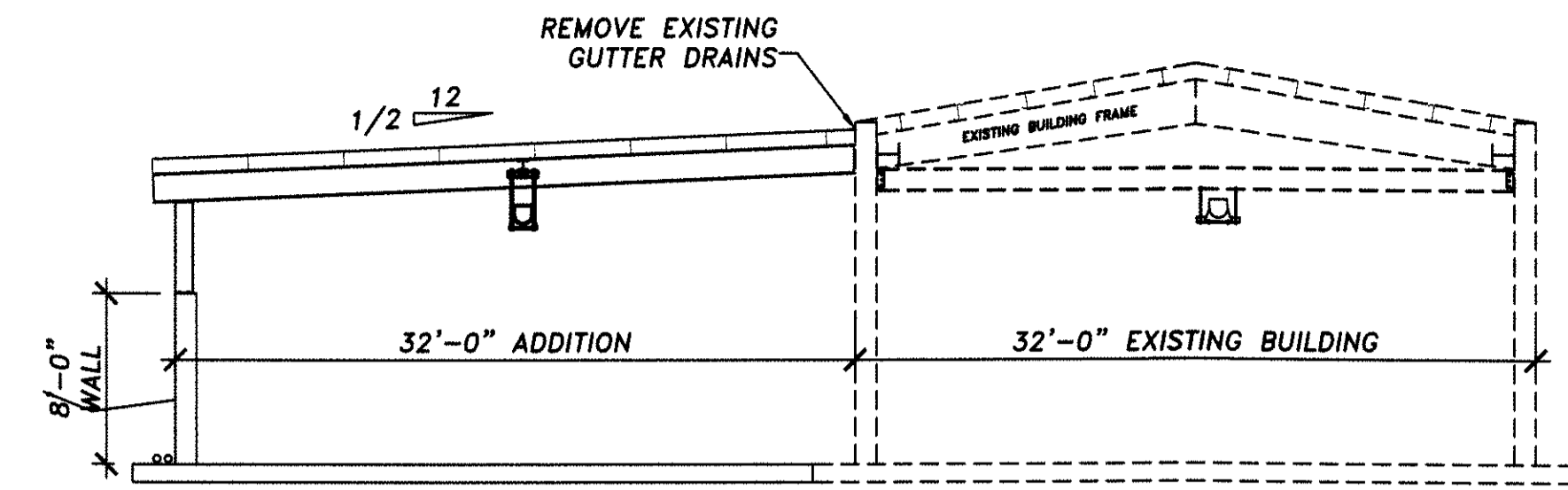


FLOOR PLAN
 SCALE: 1/8" = 1'-0"

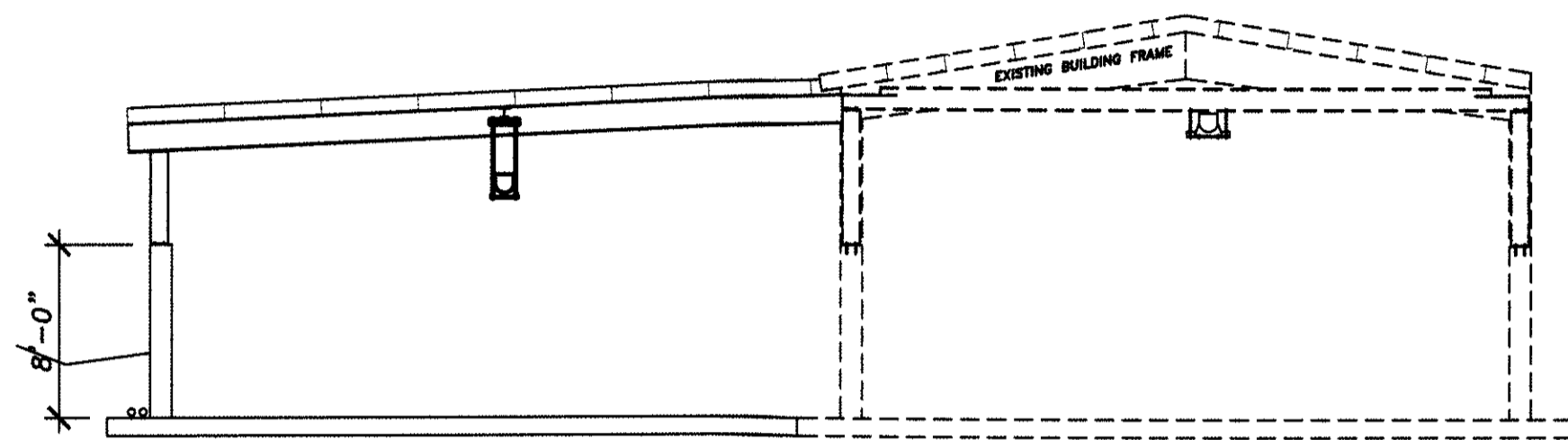
CODE INFORMATION	
<u>OCCUPANCY</u>	
CAKE STORAGE	S-1
DEWATERING	F-1
<u>CONSTRUCTION</u>	
II-B CONSTRUCTION	
<u>OCCUPANT LOAD</u>	
CAKE STORAGE	UNOCCUPIED
DEWATERING	4 @ 1:200
<u>EXITING</u>	
CAKE STORAGE	OPEN END OF BUILDING
DEWATERING	1 EXIT
<u>AREA</u>	
EXISTING	4,738 SQ. FT.
PROPOSED	4,061 SQ. FT.
TOTAL	8,799 SQ. FT.
BASE ALLOWABLE AREA	15,500 SQ. FT.
FRONTAGE INCREASE NOT USED	



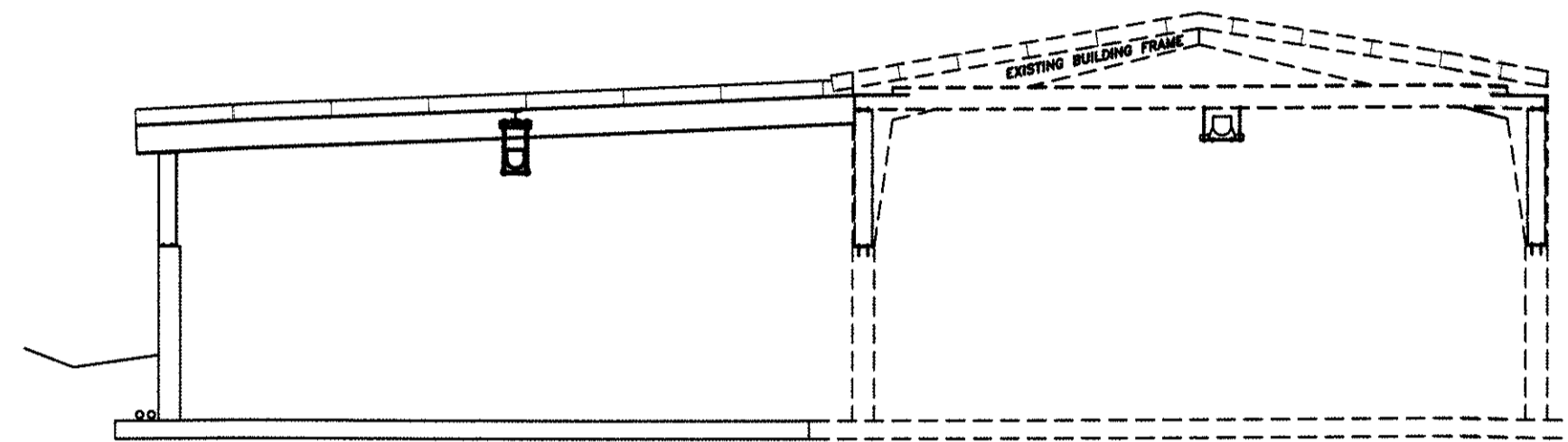
1
A-2 SCALE 1/8" = 1'-0"



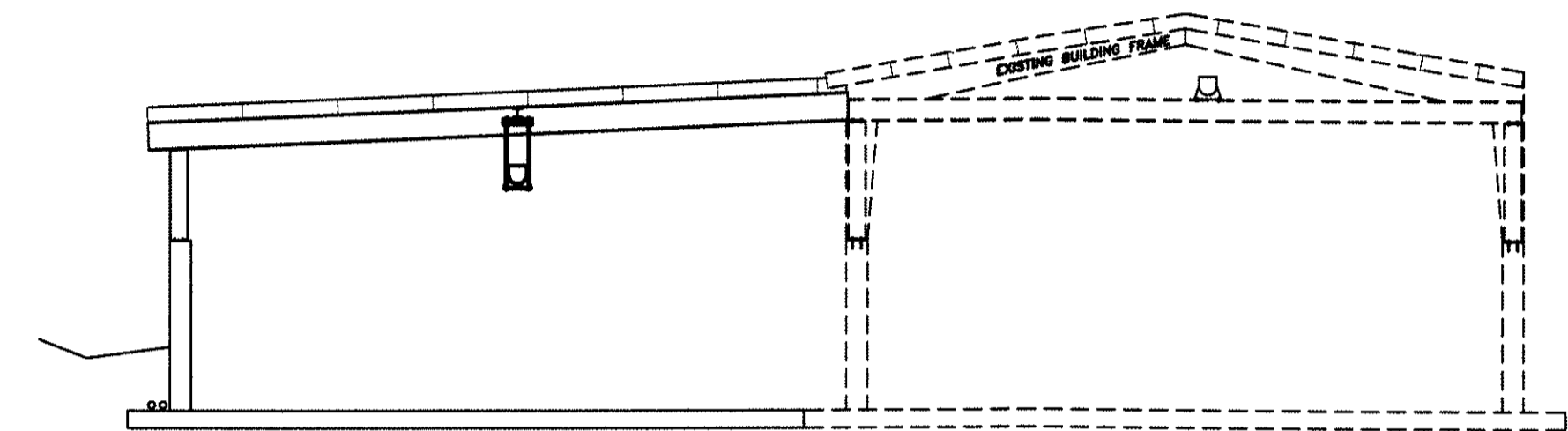
2
A-2 SCALE 1/8" = 1'-0"



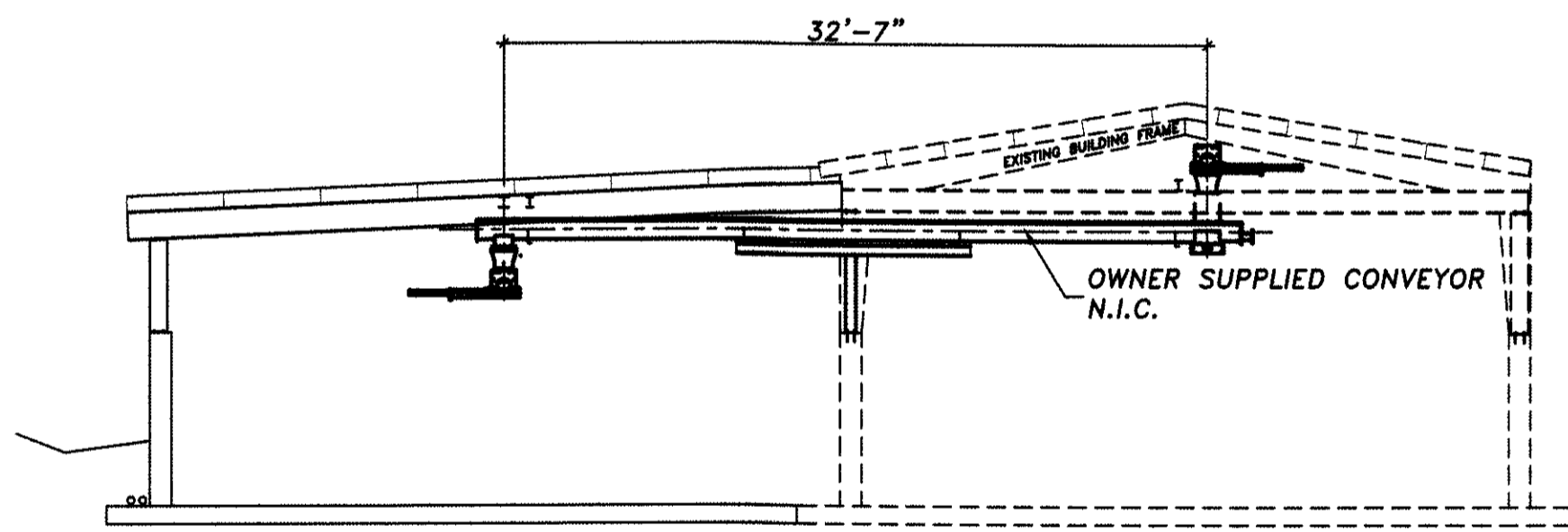
3
A-2 SCALE 1/8" = 1'-0"



4
A-2 SCALE 1/8" = 1'-0"



5
A-2 SCALE 1/8" = 1'-0"



6
A-2 SCALE 1/8" = 1'-0"

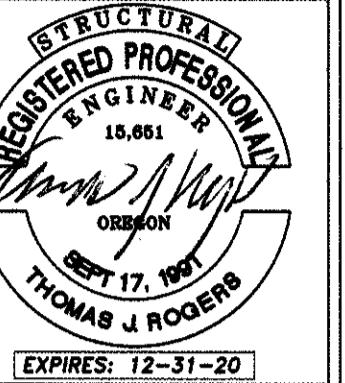
REVISIONS

ROGERS ENGINEERING
 558 S.E. Jackson St.
 Roseburg, OR 97470
 Ph. 541-672-0315
 Fax 541-672-1787

ROSEBURG URBAN SANITARY AUTHORITY
 3485 W. GEODECK AVE ROSEBURG, OR 97471
 BIOSOLIDS BUILDING ADDITION 541-672-1551

DRAWN : T.R. CHECKED : T.R.
 DATE : JULY 12, 2019
 SCALE : AS NOTED
 JOB NO. : 18-013

SHEET
A-2
 OF 2

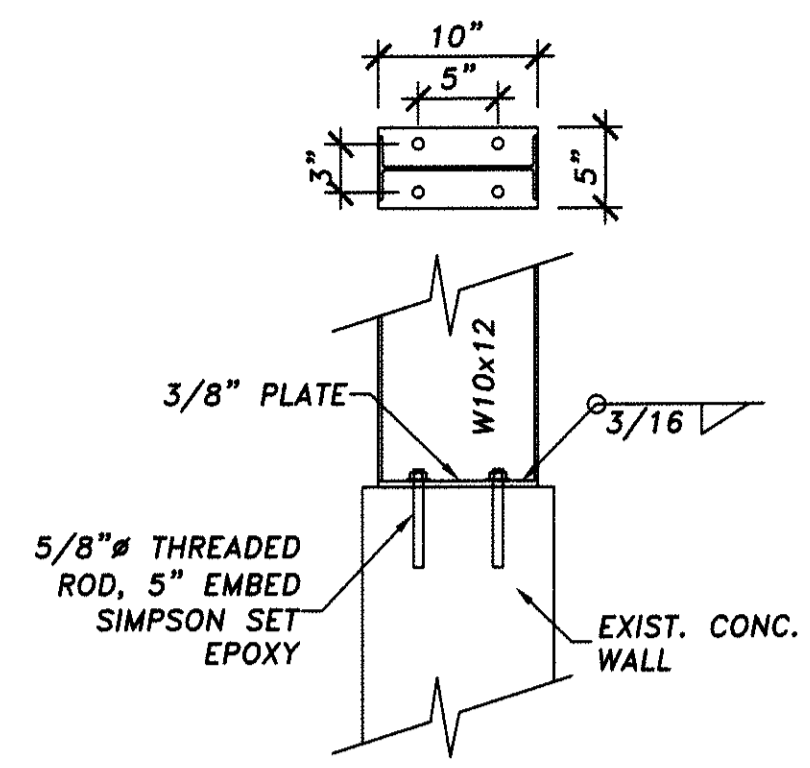


ROGERS ENGINEERING
 558 S.E. Jackson St.
 Roseburg, OR 97470
 Ph. 541-672-0315
 Fax 541-672-1787

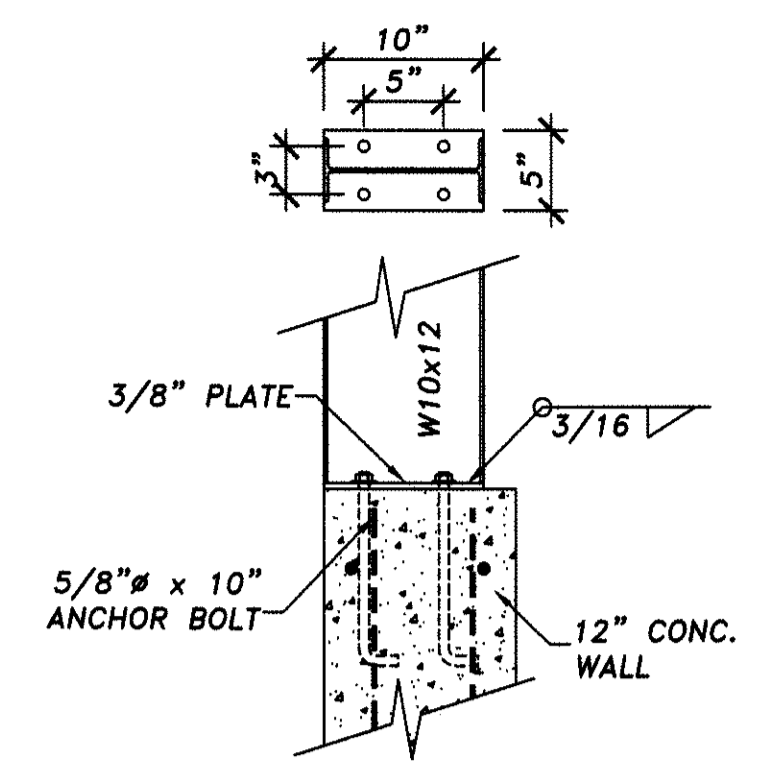
ROSEBURG URBAN SANITARY AUTHORITY
 3485 W. GEODECK AVE ROSEBURG, OR 97471
 BIOSOLIDS BUILDING ADDITION 541-672-1551

DRAWN : T.R. CHECKED : T.R.
 DATE : JULY 12, 2019
 SCALE : AS NOTED
 JOB NO. : 18-013
 SHEET

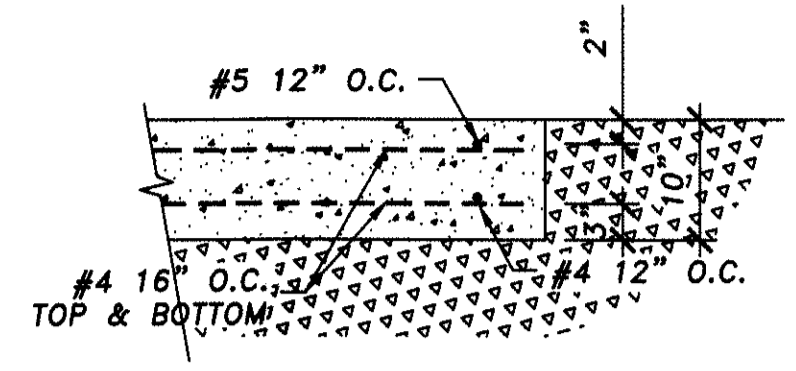
S-1
 OF 3



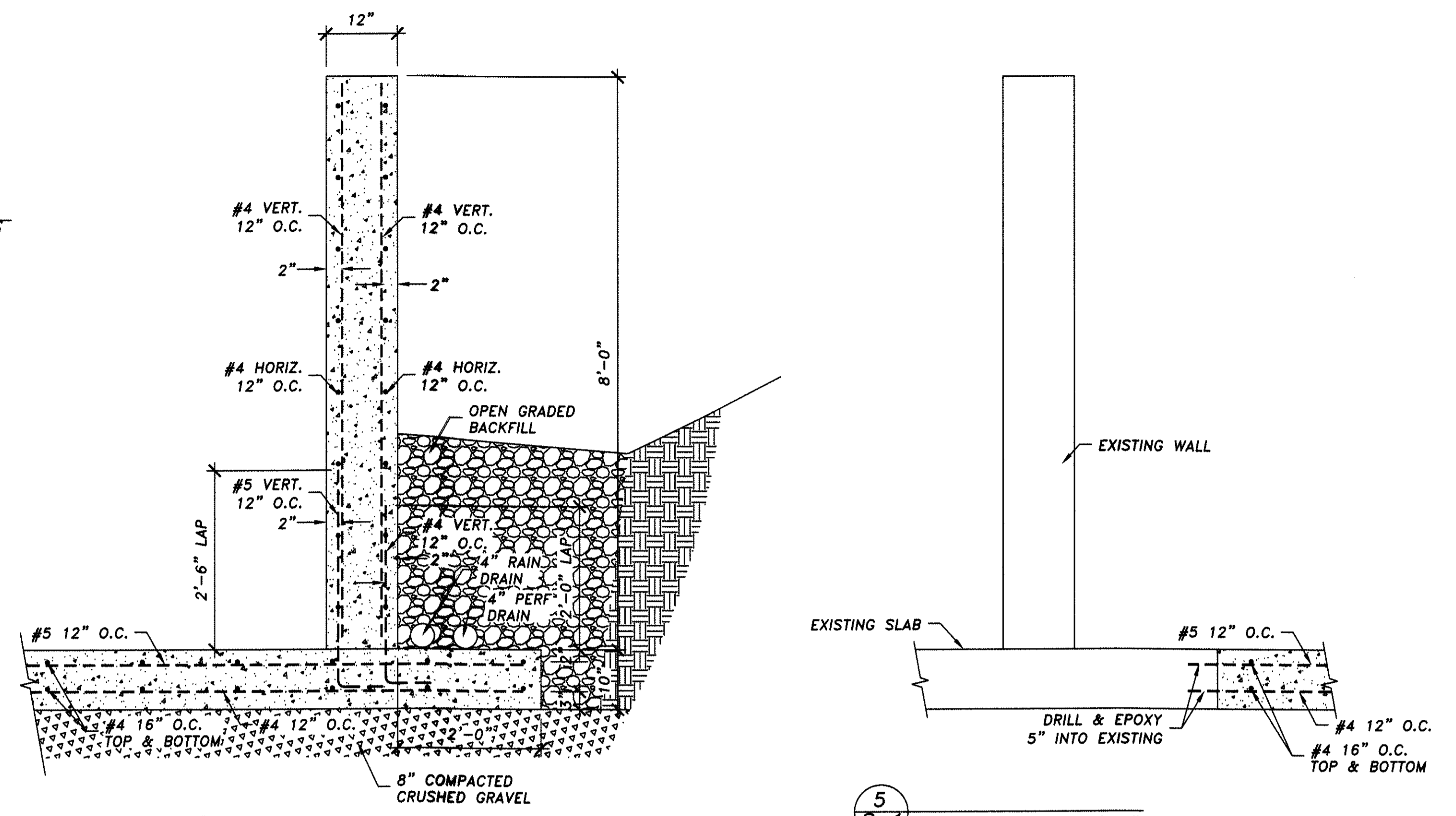
1
 S-1 SCALE 1" = 1'-0"



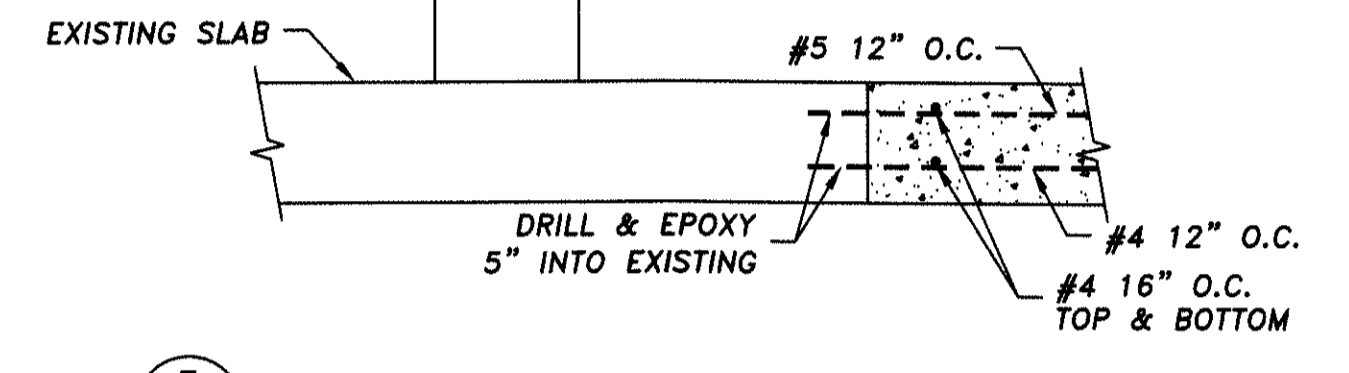
2
 S-1 SCALE 1" = 1'-0"



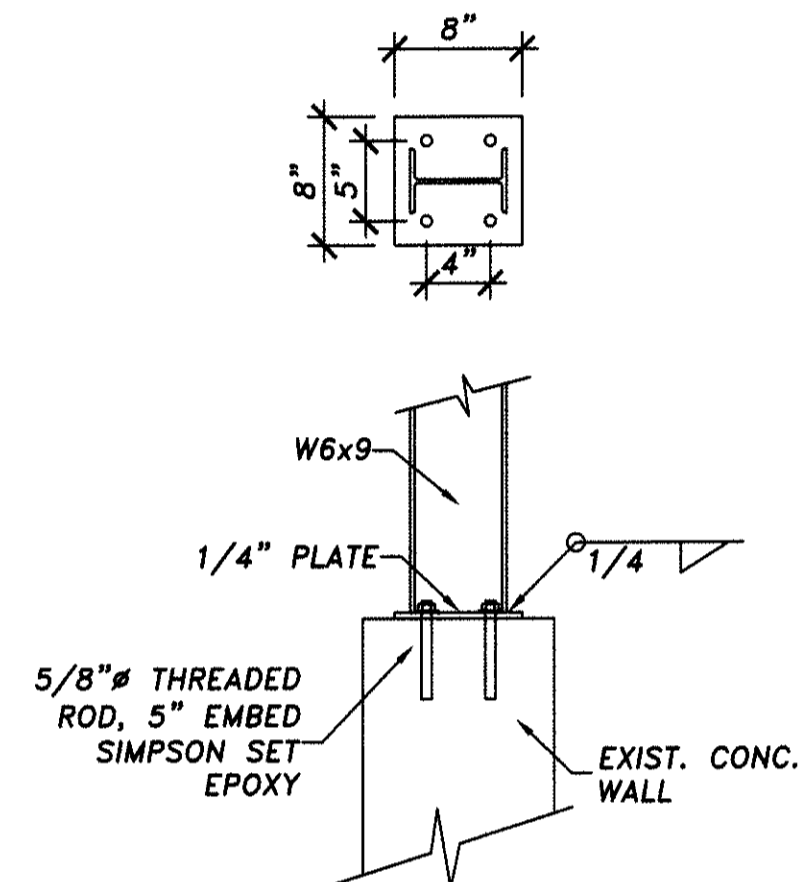
3
 S-1 SCALE 3/4" = 1'-0"



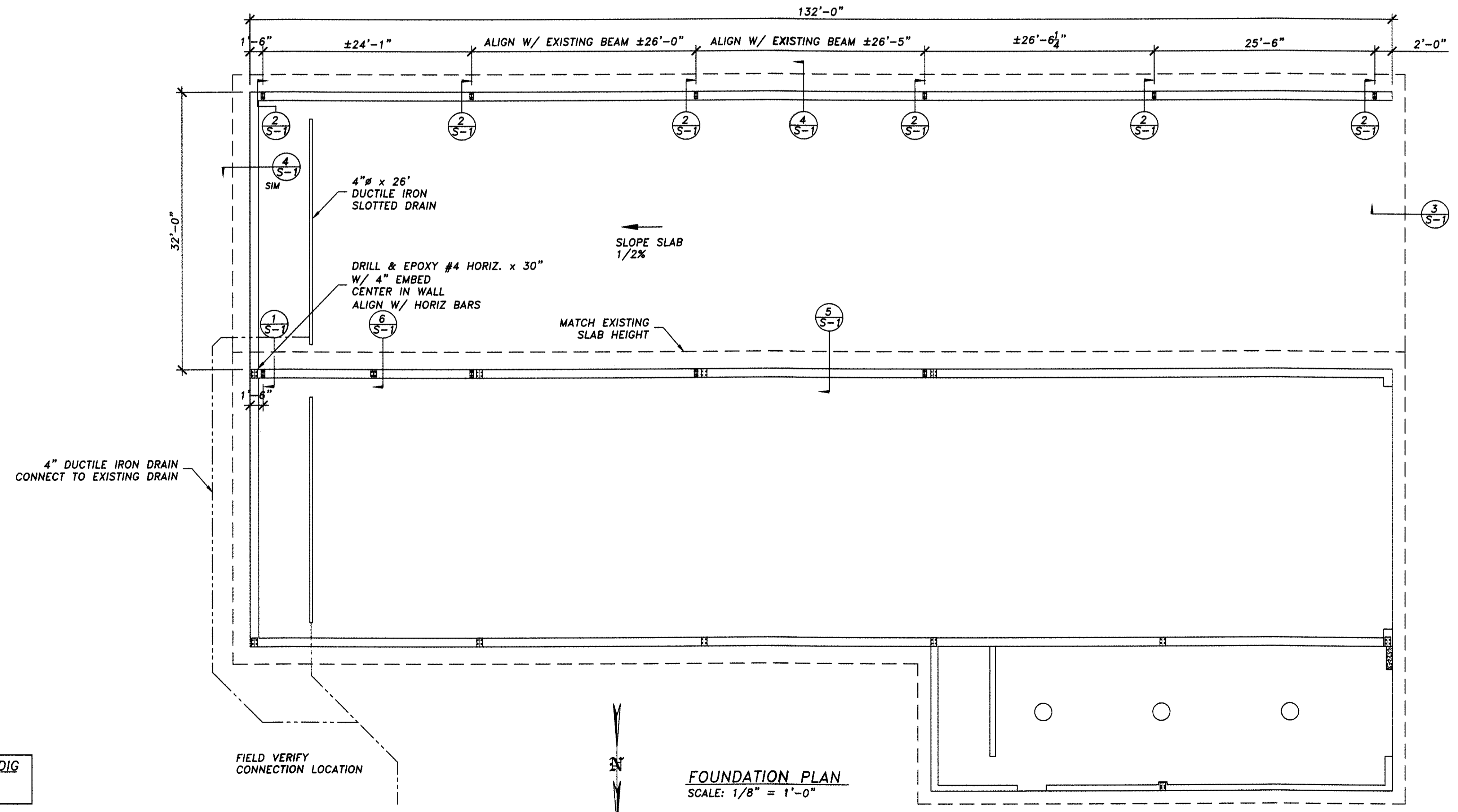
4
 S-1 SCALE 3/4" = 1'-0"



5
 S-1 SCALE 3/4" = 1'-0"



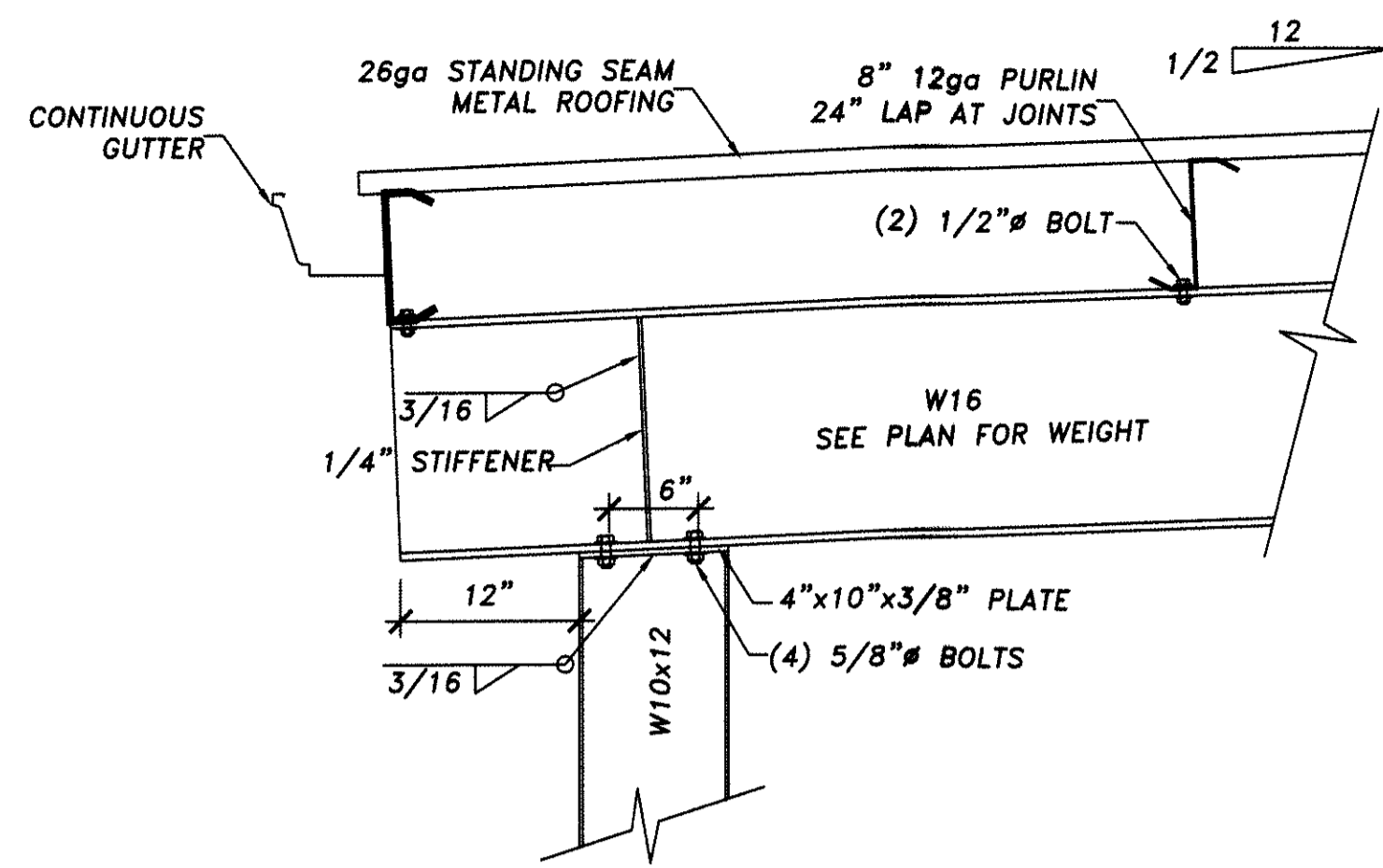
6
 S-1 SCALE 1" = 1'-0"



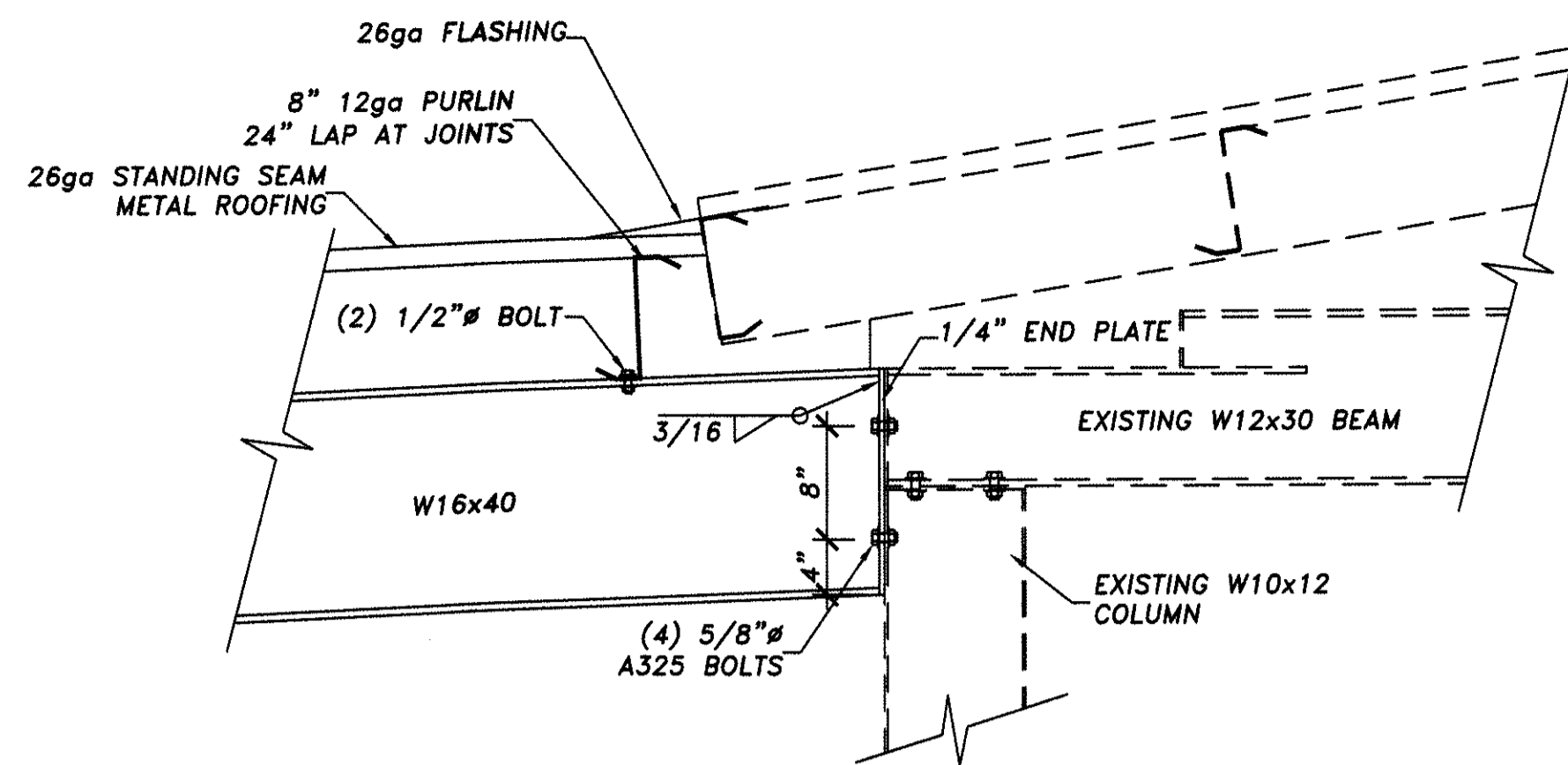
CALL BEFORE YOU DIG
 ONE CALL 811

FIELD VERIFY CONNECTION LOCATION

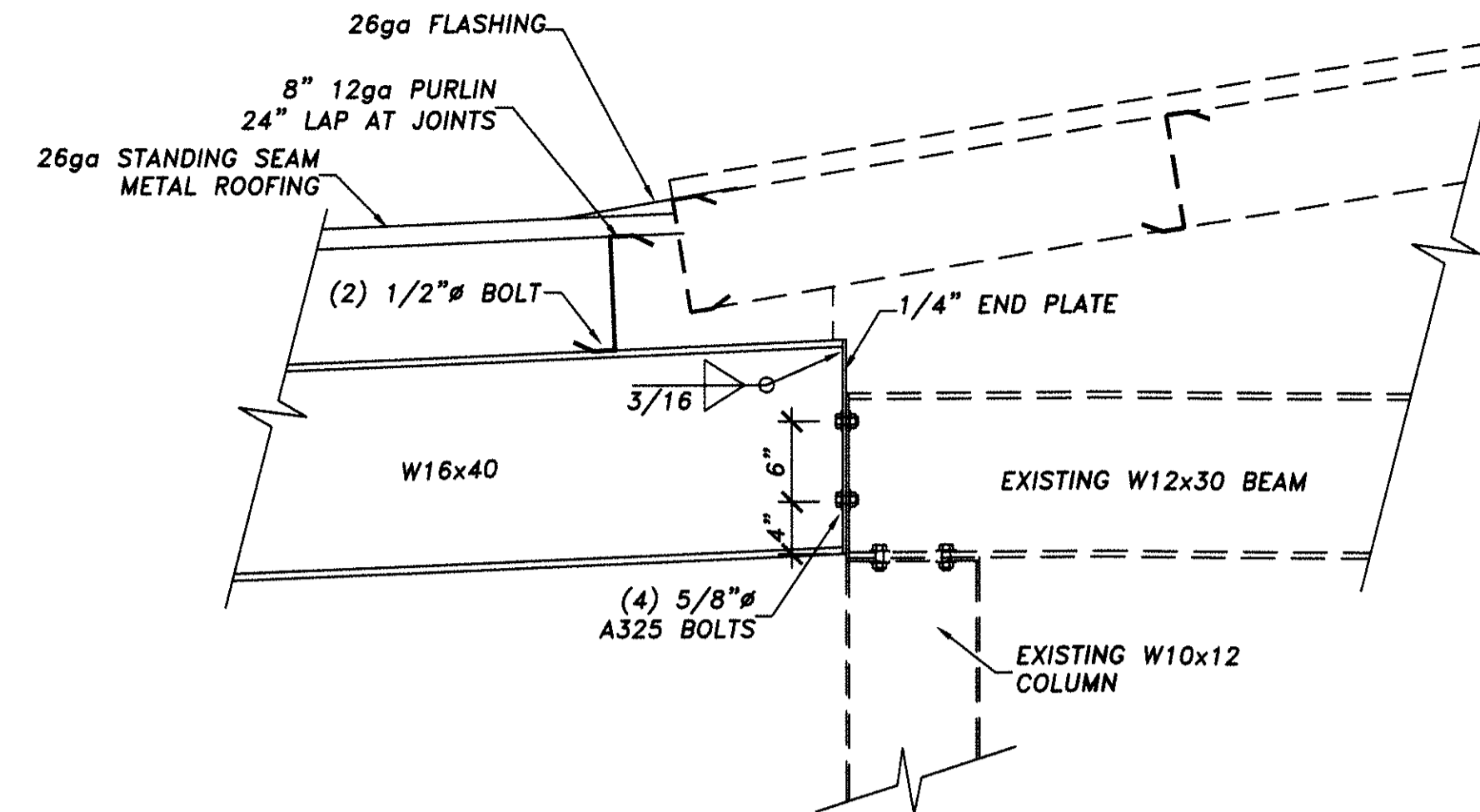
FOUNDATION PLAN
 SCALE: 1/8" = 1'-0"



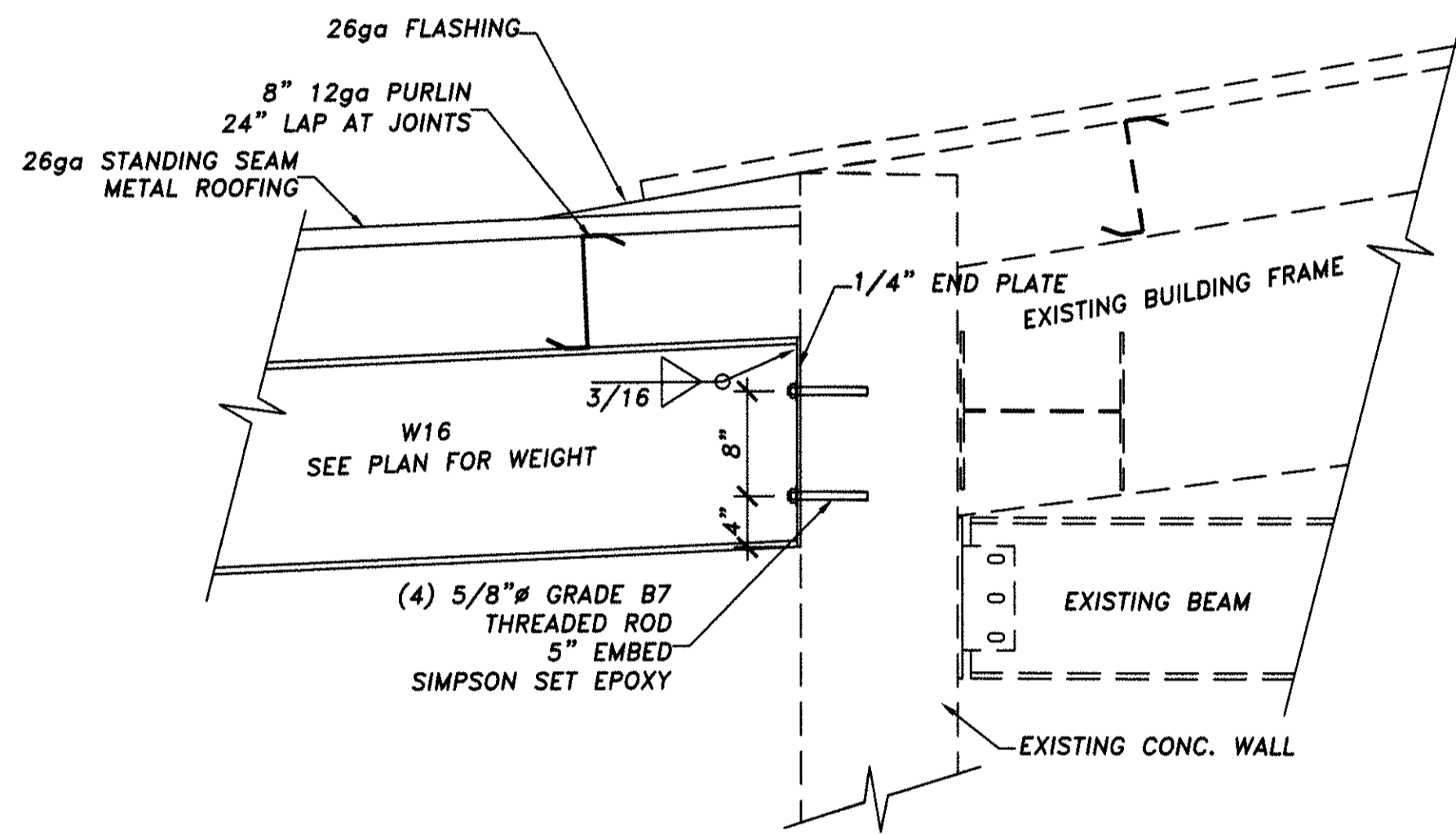
1
S-2 SCALE 1" = 1'-0"



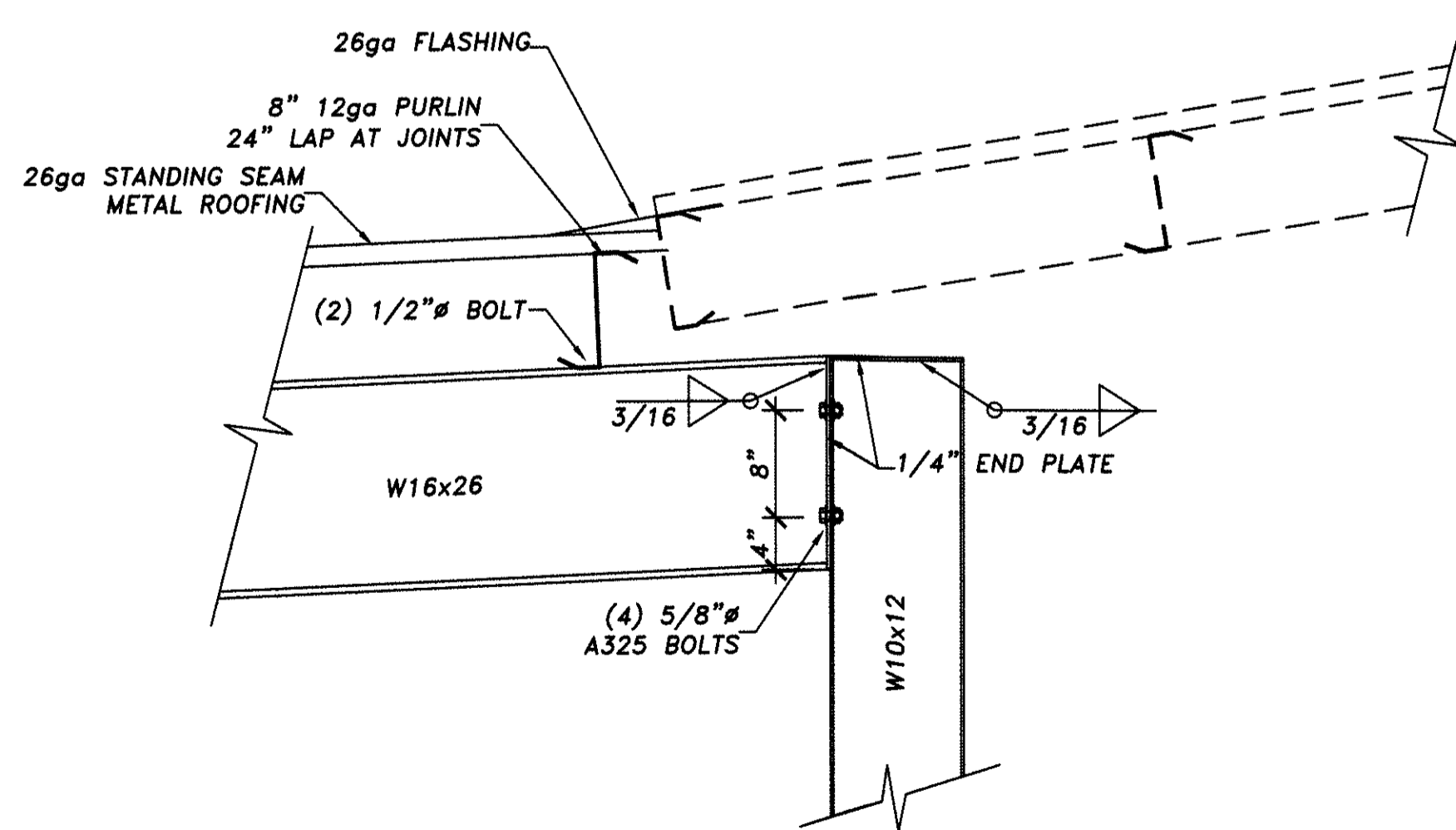
2
S-2 SCALE 1" = 1'-0"



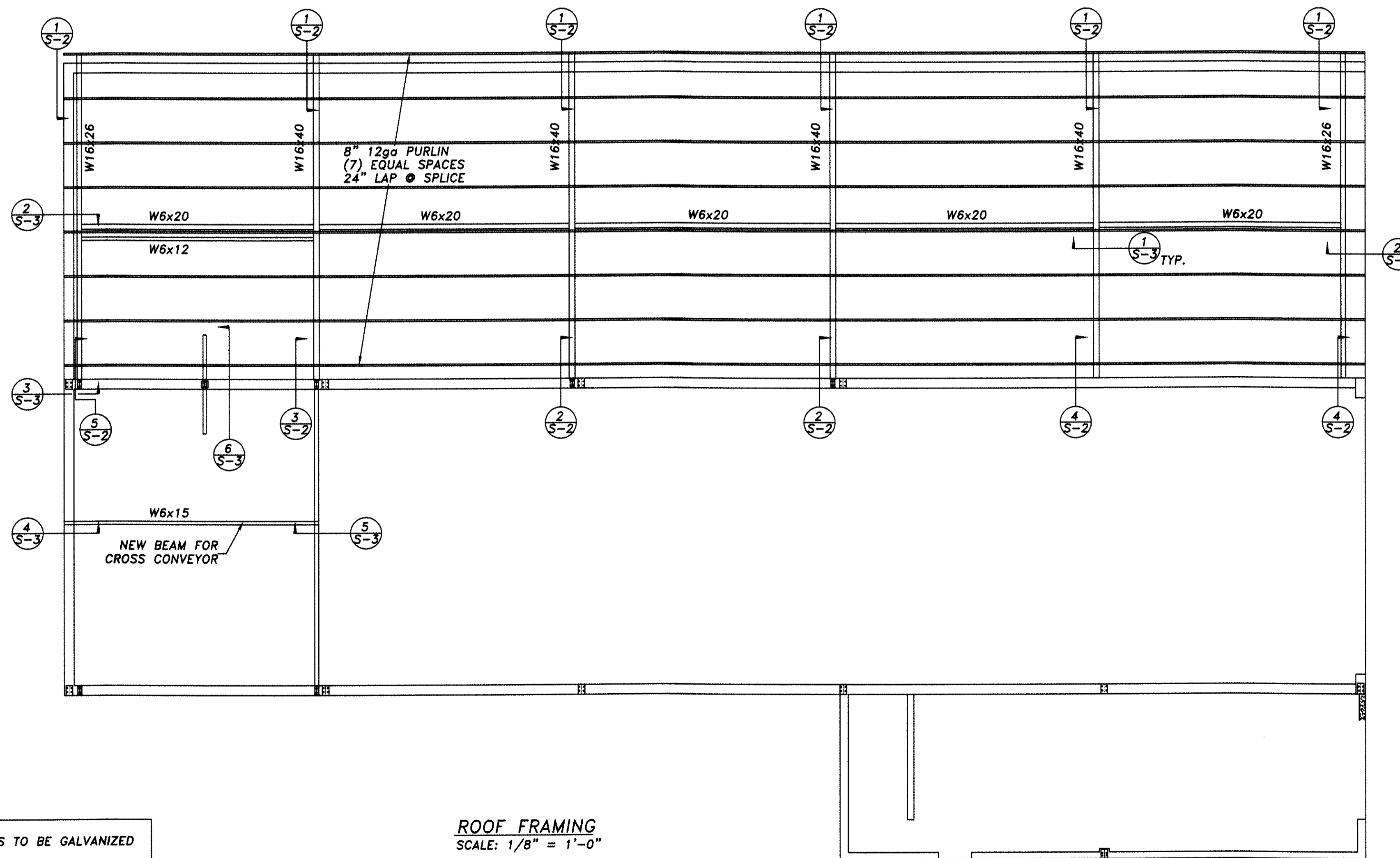
3
S-2 SCALE 1" = 1'-0"



4
S-2 SCALE 1" = 1'-0"



5
S-2 SCALE 1" = 1'-0"

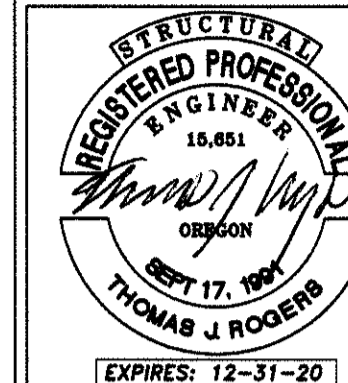


ALL MEMBERS TO BE GALVANIZED

ROOF FRAMING
SCALE: 1/8" = 1'-0"



REVISIONS



ROGERS ENGINEERING
 558 S.E. Jackson St.
 Roseburg, OR 97470
 Ph. 541-672-0315
 Fax 541-672-1787

ROSEBURG URBAN SANITARY AUTHORITY
 3485 W. GEODECK AVE ROSEBURG, OR 97471
 BIOSOLIDS BUILDING ADDITION 541-672-1551

DRAWN : T.R. CHECKED : T.R.

DATE : JULY 12, 2019

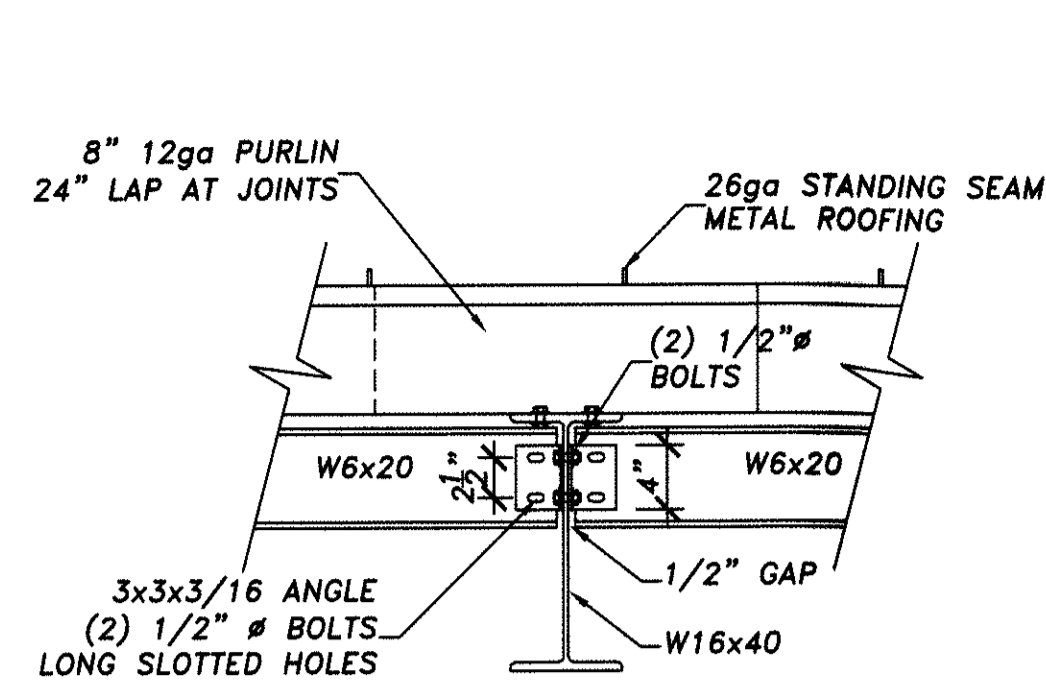
SCALE : AS NOTED

JOB NO. : 18-013

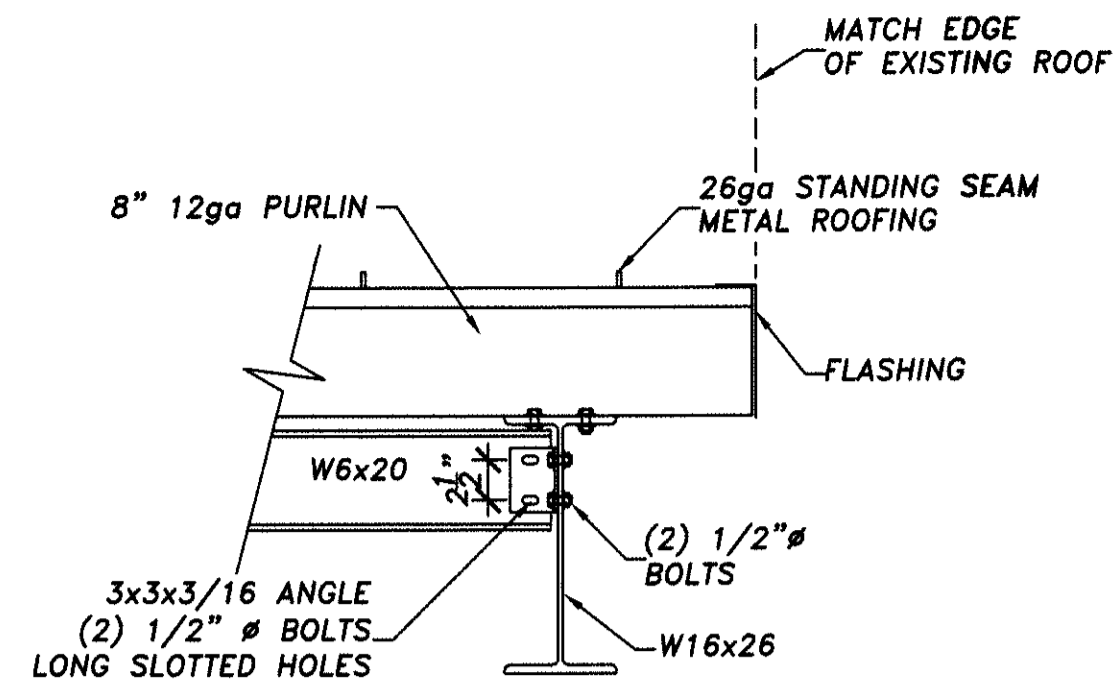
SHEET

S-2

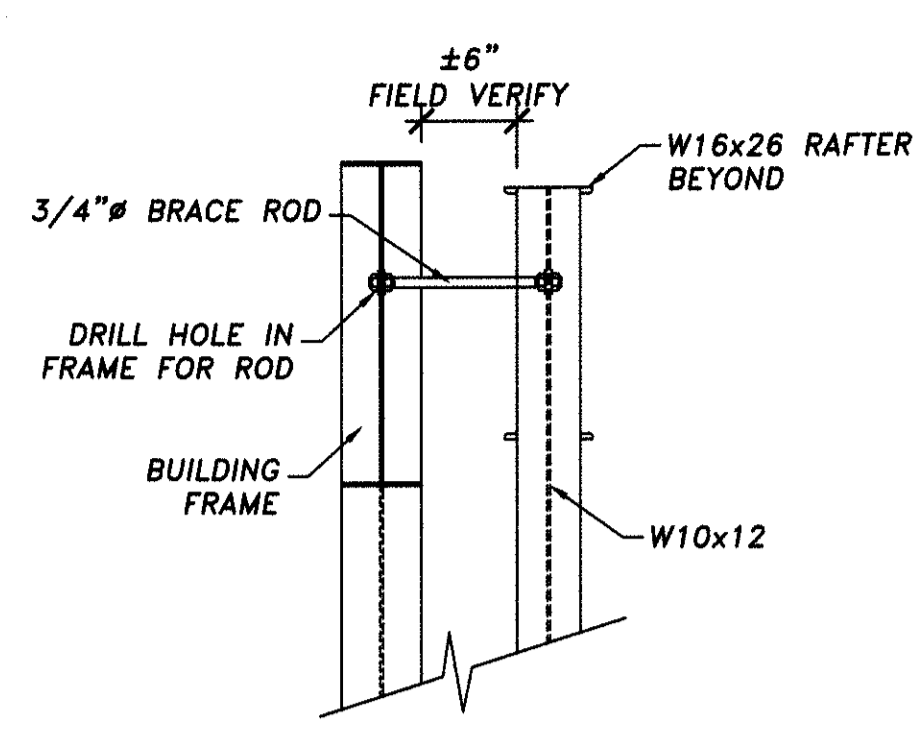
OF 3



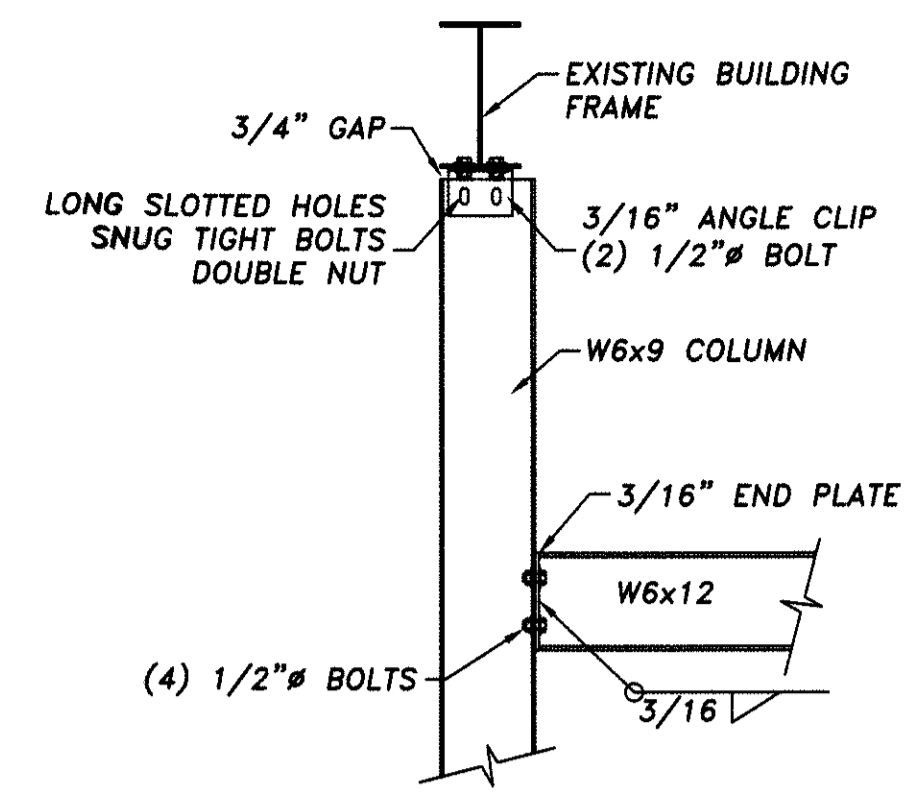
1
S-3 SCALE 1" = 1'-0"



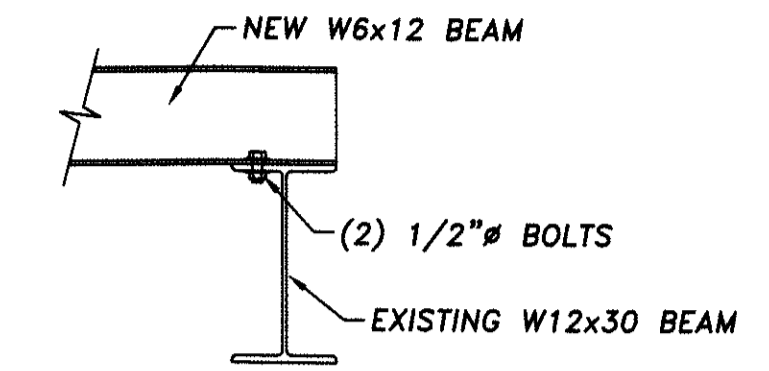
2
S-3 SCALE 1" = 1'-0"



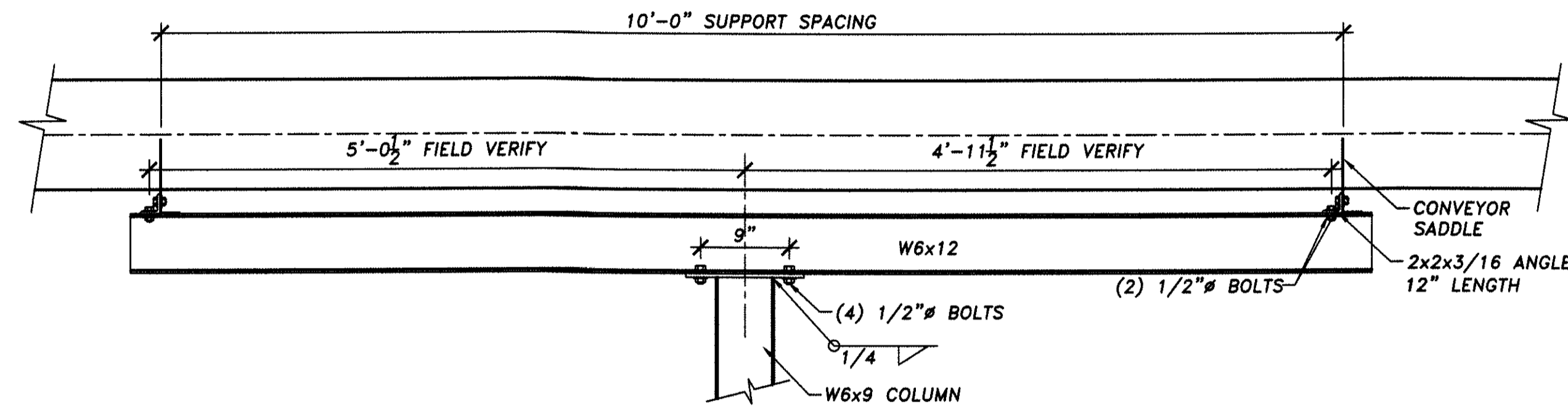
3
S-3 SCALE 1" = 1'-0"



4
S-3 SCALE 1" = 1'-0"

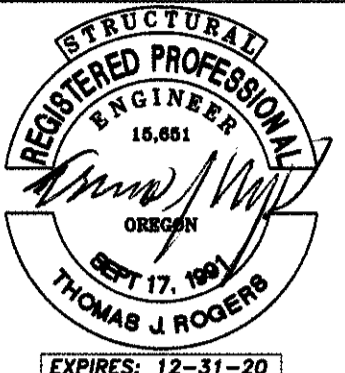


5
S-3 SCALE 1" = 1'-0"



6
S-3 SCALE 1" = 1'-0"

REVISIONS



ROGERS ENGINEERING
 558 S.E. Jackson St.
 Roseburg, OR 97470
 Ph. 541-672-0315
 Fax 541-672-1787

ROSEBURG URBAN SANITARY AUTHORITY
 3485 W. GEODECK AVE ROSEBURG, OR 97471
 BIOSOLIDS BUILDING ADDITION 541-672-1551

DRAWN : T.R. CHECKED : T.R.

DATE : JULY 12, 2019

SCALE : AS NOTED

JOB NO. : 18-013

SHEET

S-3
 OF 3