

# ROSEBURG URBAN SANITARY AUTHORITY

## SANITARY SEWER STANDARDS TABLE OF CONTENTS

### 001. TABLE OF CONTENTS

290 – ENVIRONMENTAL PROTECTION  
 290-100. WATER/SEWER SEPARATION

445 – SANITARY PIPE DETAILS  
 445-100. TYPICAL MAINLINE TRENCH  
 445-110. TYPICAL BUILDING SEWER TRENCH  
 445-120. STANDARD CLEANOUT  
 445-130. TYPICAL SHALLOW BUILDING SEWER  
 445-140. TYPICAL DEEP BUILDING SEWER  
 445-150. NEW DEVELOPMENT SANITARY SEWER LOCATION  
 445-160. SEWER MAIN EASEMENT SPECIFICATIONS  
 445-170. 2" PRESSURE BUILDING SEWER

470 – SANITARY MANHOLE DETAILS  
 470-100. STANDARD SANITARY SEWER MANHOLE  
 470-110. OUTSIDE DROP DETAIL  
 470-120. INSIDE DROP WITH BEAVER SLIDE  
 470-130. PIPED INSIDE DROP DETAIL  
 470-140. TYPICAL POUR IN PLACE MANHOLE BASE  
 470-150. STANDARD FRAME AND COVER  
 470-160. MANHOLE APRON

490 – EXISTING SEWERS/STRUCTURES  
 490-100. ABANDONED MANHOLE  
 490-110. NEW BUILDING PROXIMITY TO SEWER

### ABBREVIATIONS

MIN	MINIMUM
MAX	MAXIMUM
TYP	TYPICAL
MH	MANHOLE
CL	CENTERLINE
PSI	POUNDS PER SQUARE INCH
DIA	DIAMETER
PVC	POLYVINYL CHLORIDE
HDPE	HIGH DENSITY POLYETHYLENE
O.D.	OUTER DIAMETER
IN	INCH
FT	FOOT
STD	STANDARD
DWG	DRAWING
AC	ASPHALT CONCRETE
CLSM	CONTROLLED LOW STRENGTH MATERIAL
ODOT	OREGON DEPARTMENT OF TRANSPORTATION
RUSA	ROSEBURG URBAN SANITARY AUTHORITY
ASTM	AMERICAN SOCIETY FOR TESTING AND MATERIALS

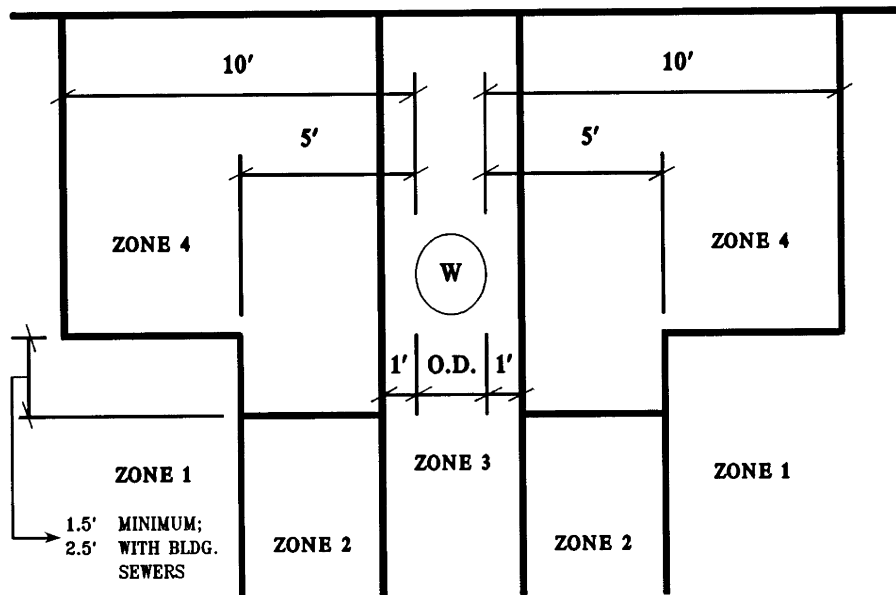


DRAWN	JJB	PROJECT NAME	SANITARY SEWER STANDARDS
REVIEWED	RMK	TITLE	TABLE OF CONTENTS
APPROVED	JVB	ROSEBURG URBAN SANITARY AUTHORITY 1297 NE GRANDVIEW DR. P.O. BOX 1185 ROSEBURG OR, 97470 PHONE: (541)-672-1551	
REVISION DATE	7/2/2020		
	6/19/2019		
	3/13/2019		



SCALE:	SHEET NO.
NTS	001

Ⓜ = WATERLINE



**SEWER LINE ZONES**

- ZONE 1** SEWER LINE CAN BE LAID IN THIS AREA WITH NO SPECIAL REQUIREMENTS OF EITHER CONSTRUCTION OR MATERIALS.
- ZONE 2** INSTALLING A SEWER LINE IN THIS ZONE IS NOT ADVISABLE AND MUST BE JUSTIFIED IN EACH CASE. WATER LINE SHOULD BE LOCATED ON A BENCH OF UNDISTURBED EARTH WHEN CONSTRUCTED CONCURRENTLY IN A COMMON TRENCH WITH SEWER LINE.
- ZONE 3** INSTALLING A SEWER MAIN DIRECTLY OVER A WATER MAIN OR DIRECTLY UNDER A WATER MAIN IN THIS ZONE IS PROHIBITED SINCE TAPPING AND O. & M. OF EACH LINE WOULD BE IMPAIRED.
- ZONE 4** SEWER LINE CONSTRUCTION IN THIS ZONE WOULD GENERALLY NOT BE PERMITTED. EACH INSTALLATION MUST BE JUSTIFIED. IF CONSTRUCTION WAS PERMITTED, PRESSURE PIPE MATERIALS FOR THIS SEWER LINE WOULD BE REQUIRED.

Effective 9/1/81

**FIGURE A-1  
SEPARATION OF PARALLEL WATER-SEWER LINES**

1. PARALLEL WATER AND SEWER LINES: SEWER LINES SHOULD CONFORM TO FIGURE A-1. COMMON TRENCH CONSTRUCTION FOR WATER AND SEWER SHOULD BE AVOIDED WHERE PRACTICAL. WHERE USED, THE MINIMUM SEPERATIONS OF FIGURE A-1 SHOULD BE MAINTAINED.
2. VERTICAL SEPARATION FOR CROSSINGS OF WATER AND SEWER LINES: NO SPECIAL PRECAUTIONS SHOULD BE NECESSARY WHERE TOP OF SEWER LINE IS AT LEAST 1.5 FEET BELOW BOTTOM OF WATER LINE AND ADEQUATE STRUCTURAL PROTECTION FOR EACH LINE IS PROVIDED.

OAR52

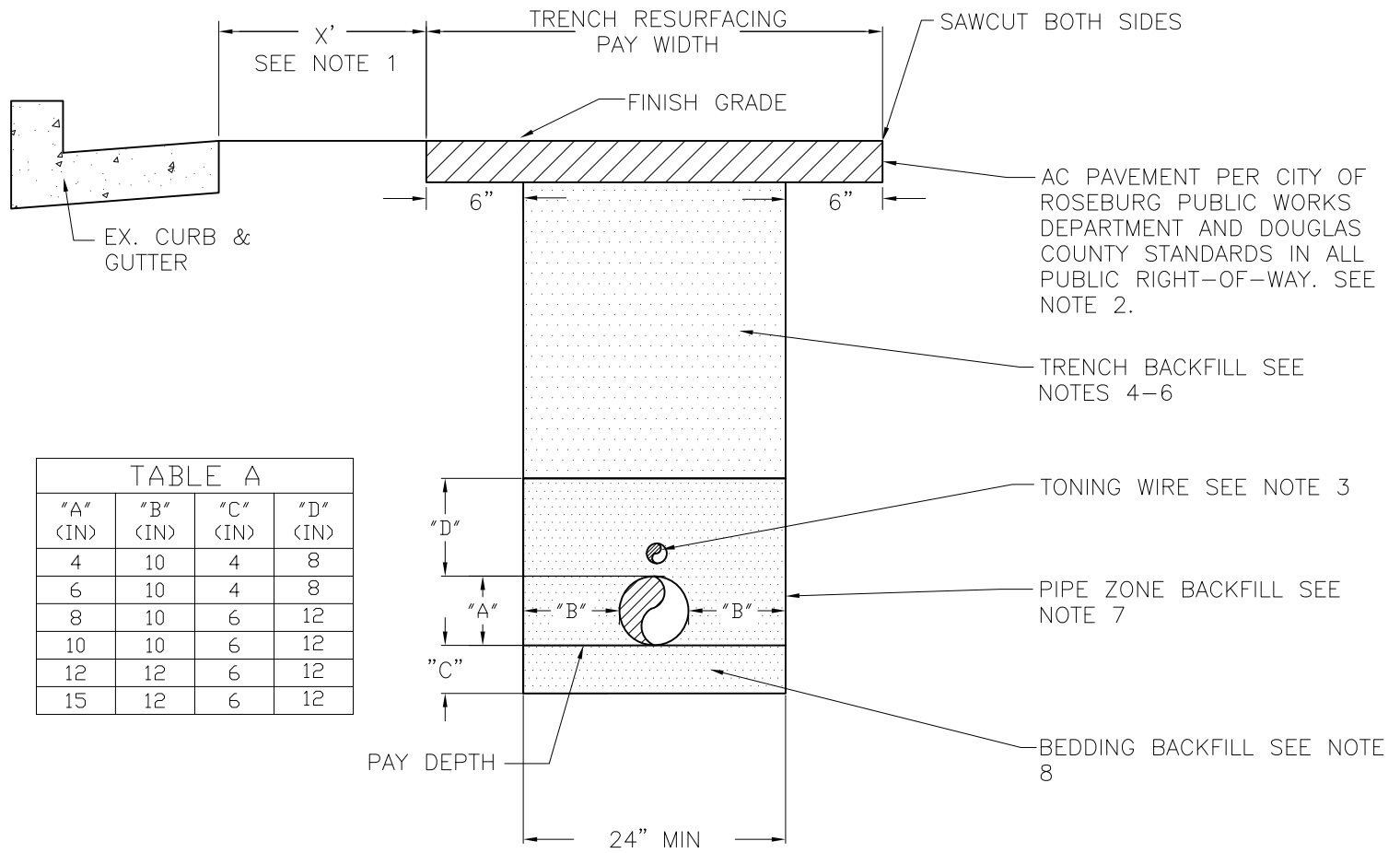
A-11

(September, 1981)

DRAWN	JJB	PROJECT NAME	SANITARY SEWER STANDARDS
REVIEWED	RMK	TITLE	WATER/SEWER SEPARATION
APPROVED	JVB	ROSEBURG URBAN SANITARY AUTHORITY 1297 NE GRANDVIEW DR. P.O. BOX 1185 ROSEBURG OR, 97470 PHONE: (541)-672-1551	
REVISION DATE	6/19/2019		
	12/17/2018		
	12/14/2018		



SCALE: NTS SHEET NO. 290-100



"A" (IN)	"B" (IN)	"C" (IN)	"D" (IN)
4	10	4	8
6	10	4	8
8	10	6	12
10	10	6	12
12	12	6	12
15	12	6	12

TYPICAL SEWER MAINLINE TRENCH

**NOTES:**

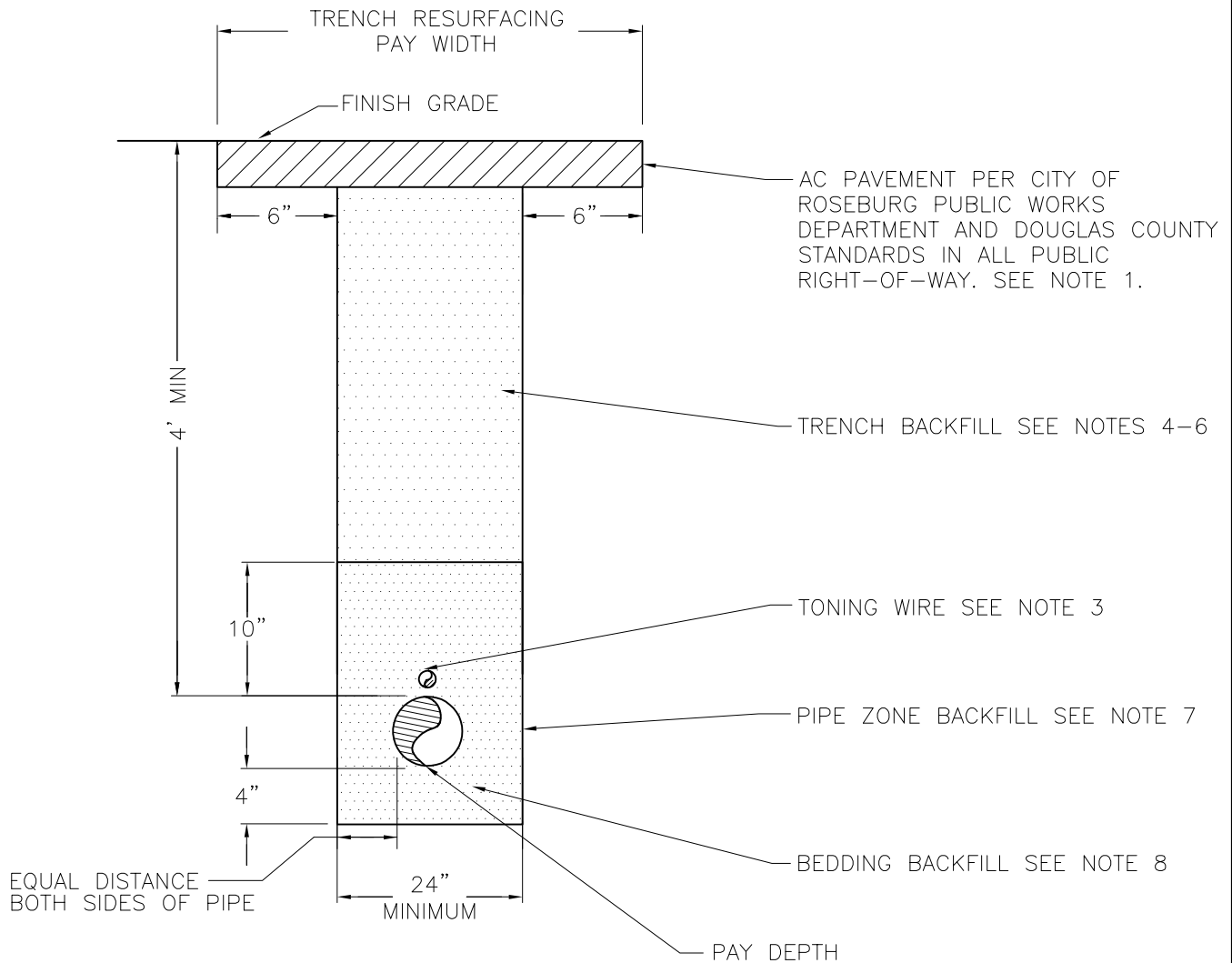
1. WHEN X IS LESS THAN 5', CONTRACTOR SHALL REMOVE AND REPLACE AC PAVEMENT TO CURB AND/OR GUTTER PER CITY OF ROSEBURG.
2. WHEN SEWER MAINLINE IS NOT LOCATED IN PUBLIC RIGHT-OF-WAY, AC SHALL BE PER APPROVED PLANS.
3. TONING WIRE TO BE TAPED TO PIPE EVERY 10'. FOR TONING WIRE SPECIFICATIONS, SEE ODOT STANDARD SPECIFICATION 00445.12 PARAGRAPH E.
4. TRENCH BACKFILL IN RIGHT-OF-WAY SHALL BE CLASS "E" CONTROLLED LOW STRENGTH MATERIAL (CLSM) OR CLASS "B" IF APPROVED.
5. WHEN SEWER LINE IS IN UNPAVED AREAS OUTSIDE OF RIGHT-OF-WAY, TRENCH BACKFILL MATERIAL SHALL BE CLASS "A".
6. WHEN SEWER LINE IS IN PAVED AREAS OUTSIDE OF THE RIGHT-OF-WAY, TRENCH BACKFILL MATERIAL SHALL BE CLASS "B".
7. PIPE ZONE BACKFILL SHALL BE CLASS "B" 3/4"-0" UNLESS OTHERWISE APPROVED.
8. BEDDING MATERIAL SHALL BE CLASS "B" 3/4"-0" UNLESS OTHERWISE APPROVED.

BACKFILL MATERIAL CLASSES PER 2015  
ODOT STANDARD SPECIFICATIONS 00405.14

DRAWN	JJB	PROJECT NAME	SANITARY SEWER STANDARDS
REVIEWED	RMK	TITLE	TYPICAL MAINLINE TRENCH
APPROVED	JVB	ROSEBURG URBAN SANITARY AUTHORITY	1297 NE GRANDVIEW DR. P.O. BOX 1185 ROSEBURG OR, 97470 PHONE: (541)-672-1551
REVISION DATE	6/16/2020		
	6/19/2019		
	6/10/2019		



SCALE: NTS SHEET NO. 445-100




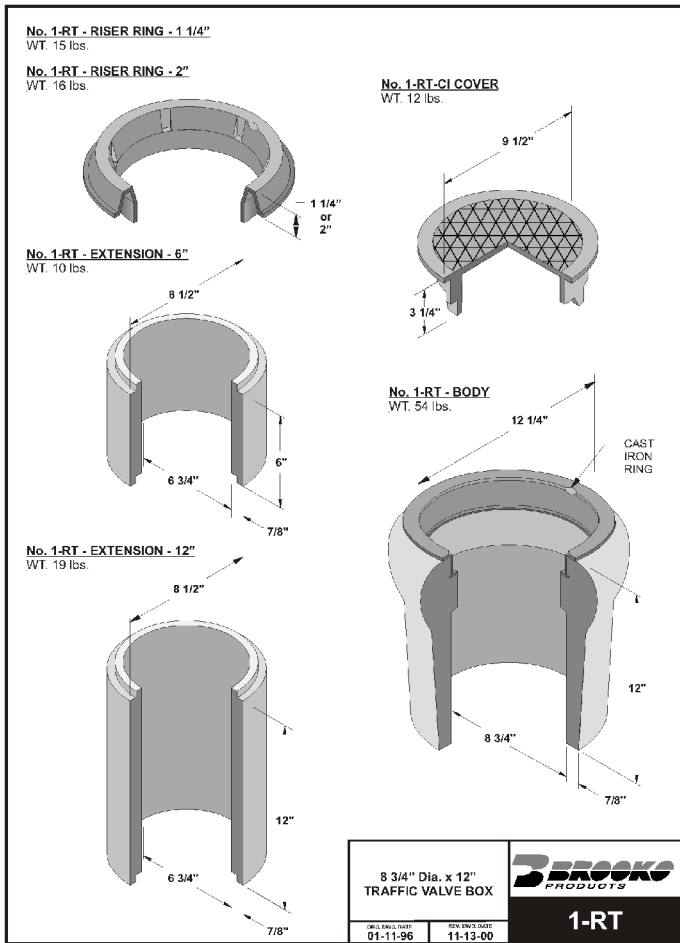
TYPICAL 4" OR 6" BUILDING SEWER TRENCH

**NOTES:**

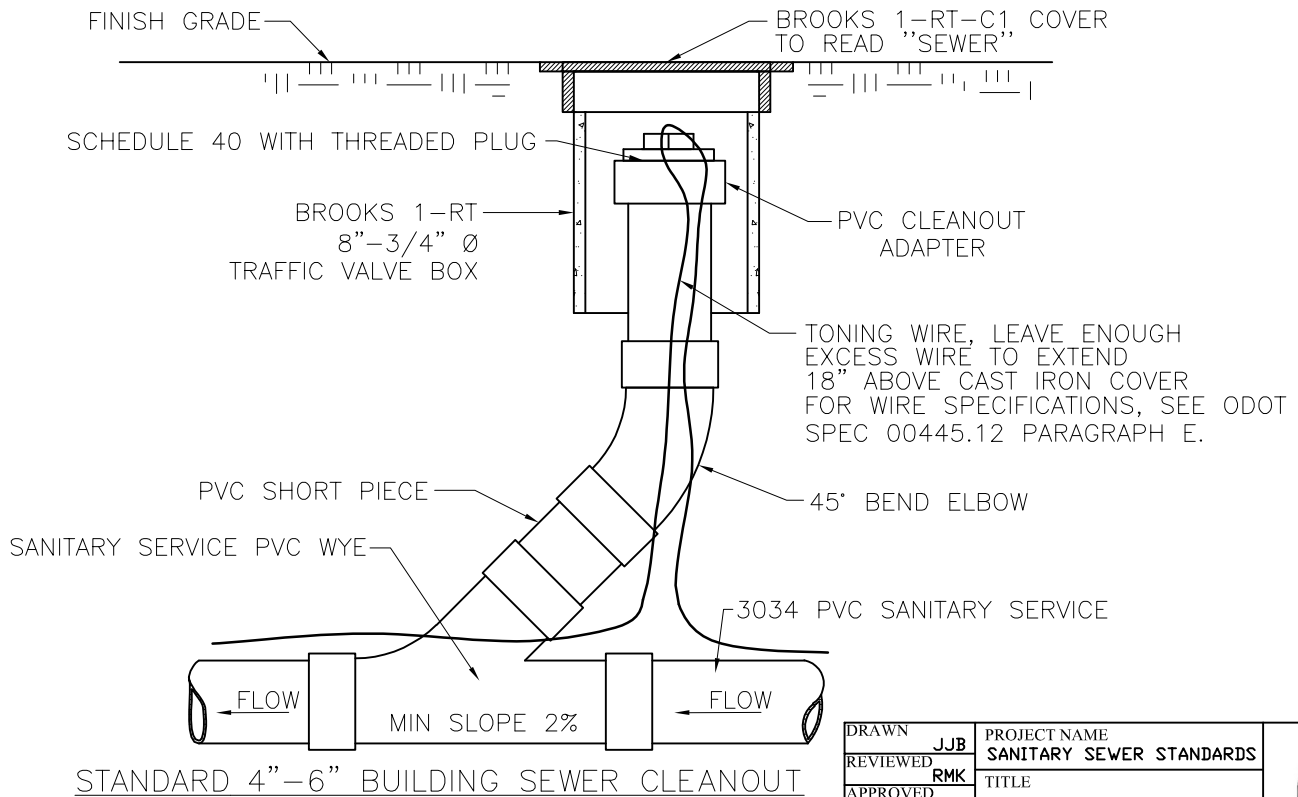
1. WHEN SEWER MAINLINE IS NOT LOCATED IN PUBLIC RIGHT-OF-WAY, AC SHALL BE PER APPROVED PLANS.
2. TYPICAL DEPTH OF COVER OVER SEWER LATERAL AT PROPERTY LINE/RIGHT-OF-WAY SHALL BE 4' MINIMUM.
3. TONING WIRE TO BE TAPED TO PIPE EVERY 10'. FOR TONING WIRE SPECIFICATIONS, SEE ODOT STANDARD SPECIFICATION 00445.12 PARAGRAPH E.
4. TRENCH BACKFILL IN RIGHT-OF-WAY SHALL BE CLASS "E" CONTROLLED LOW STRENGTH MATERIAL (CLSM) OR CLASS "B" IF APPROVED.
5. WHEN SEWER LINE IS IN UNPAVED AREAS OUTSIDE OF RIGHT-OF-WAY, TRENCH BACKFILL MATERIAL SHALL BE CLASS "A".
6. WHEN SEWER LINE IS IN PAVED AREAS OUTSIDE OF THE RIGHT-OF-WAY, TRENCH BACKFILL MATERIAL SHALL BE CLASS "B".
7. PIPE ZONE BACKFILL SHALL BE CLASS "B" 3/4"-0" UNLESS OTHERWISE APPROVED.
8. BEDDING MATERIAL SHALL BE CLASS "B" 3/4"-0" UNLESS OTHERWISE APPROVED.

BACKFILL MATERIAL CLASSES PER 2015  
ODOT STANDARD SPECIFICATIONS 00405.14

DRAWN JJB	PROJECT NAME SANITARY SEWER STANDARDS	
REVIEWED RMK	TITLE TYPICAL BUILDING SEWER TRENCH	
APPROVED JVB	ROSEBURG URBAN SANITARY AUTHORITY 1297 NE GRANDVIEW DR. P.O. BOX 1185 ROSEBURG OR, 97470 PHONE: (541)-672-1551	SCALE: NTS
REVISION DATE 6/19/2019		SHEET NO. 445-110
6/10/2019		
5/24/2019		



4  
-  
0  
4

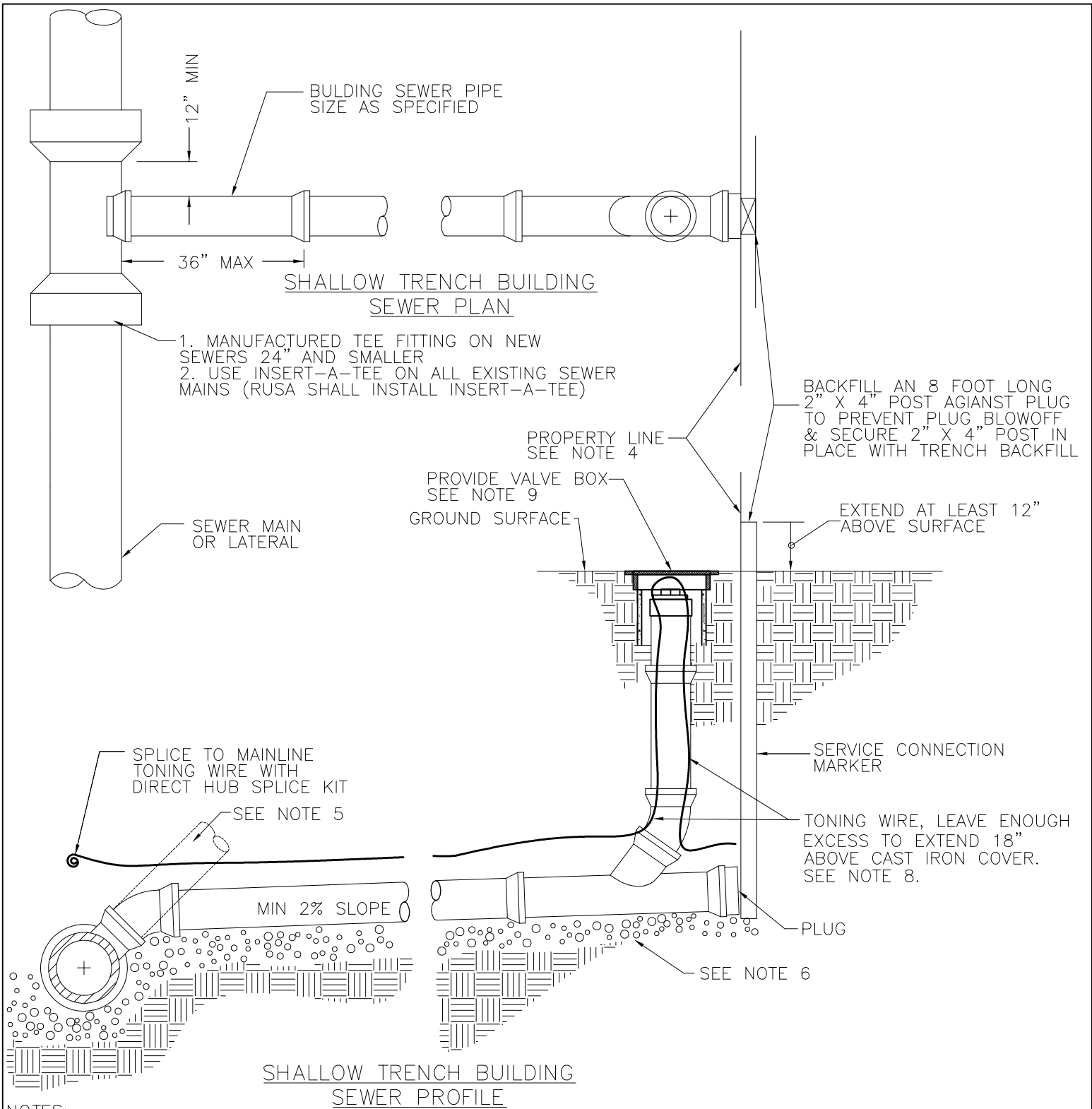


DRAWN	JJB	PROJECT NAME	SANITARY SEWER STANDARDS
REVIEWED	RMK	TITLE	CLEANOUT
APPROVED	JVB	REVISION DATE	6/19/2019
			12/18/2018
			12/17/2018
		ROSEBURG URBAN SANITARY AUTHORITY 1297 NE GRANDVIEW DR. P.O. BOX 1185 ROSEBURG OR, 97470 PHONE: (541)-672-1551	



SCALE: NTS

SHEET NO. 445-120

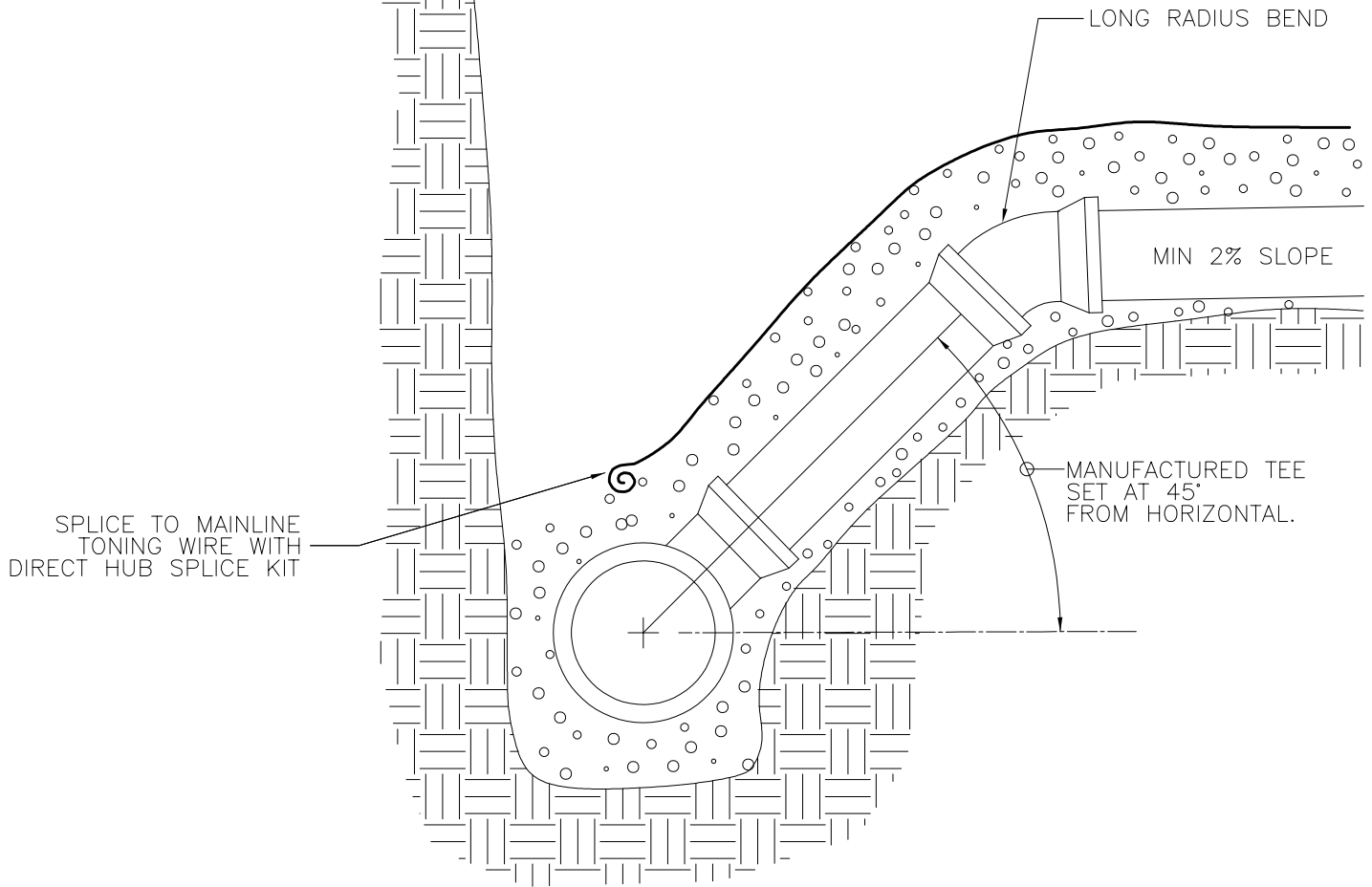


- NOTES:**
1. PIPE AND FITTINGS SHALL BE COMPATIBLE. ONLY MANUFACTURED FITTINGS SHALL BE USED.
  2. TYPICAL MINIMUM DEPTH AT RIGHT OF WAY OR EASEMENT LINE SHALL BE 4'.
  3. MARKER POSTS AND BLOCKING SHALL BE TREATED WOOD. POST SHALL BE AN 8 FOOT LONG 2" X 4" FIR. POST TO EXTEND 12" MIN ABOVE FINISH GRADE AND EXPOSED AREA SHALL BE PAINTED GREEN.
  4. INSTALL CLEAN OUT AT OR NEAR RIGHT-OF-WAY LINE.
  5. LAY BUILDING SEWER AT MAX 45° FROM HORIZONTAL TO ACHIEVE REQUIRED DEPTH AT PROPERTY LINE WHEN MINIMUM SLOPE RESULTS IN EXCESSIVE DEPTH OF OVER 4' (SEE RUSA DEEP TRENCH BLDG SEWER STD DWG 445-140).
  6. FOR BEDDING AND BACKFILL SEE RUSA STD DWG 445-110.
  7. MANUFACTURED TEE TO BE SET AT 45° FROM HORIZONTAL.
  8. FOR TONING WIRE SPECS SEE ODOT 00445.11 PARAGRAPH E.
  9. BROOKS 1-RT SEE RUSA CLEANOUT STD DWG 445-120

DRAWN	JJB	PROJECT NAME	SANITARY SEWER STANDARDS
REVIEWED	RMK	TITLE	SHALLOW TRENCH BUILDING SEWER
APPROVED	JVB	ROSEBURG URBAN SANITARY AUTHORITY 1297 NE GRANDVIEW DR. P.O. BOX 1185 ROSEBURG OR, 97470 PHONE: (541)-672-1551	
REVISION DATE	6/19/2019		
	3/13/2019		
	12/18/2018		



SCALE: NTS  
 SHEET NO. 445-130



DEEP TRENCH BUILDING SEWER  
(DEPTH GREATER THAN 6')

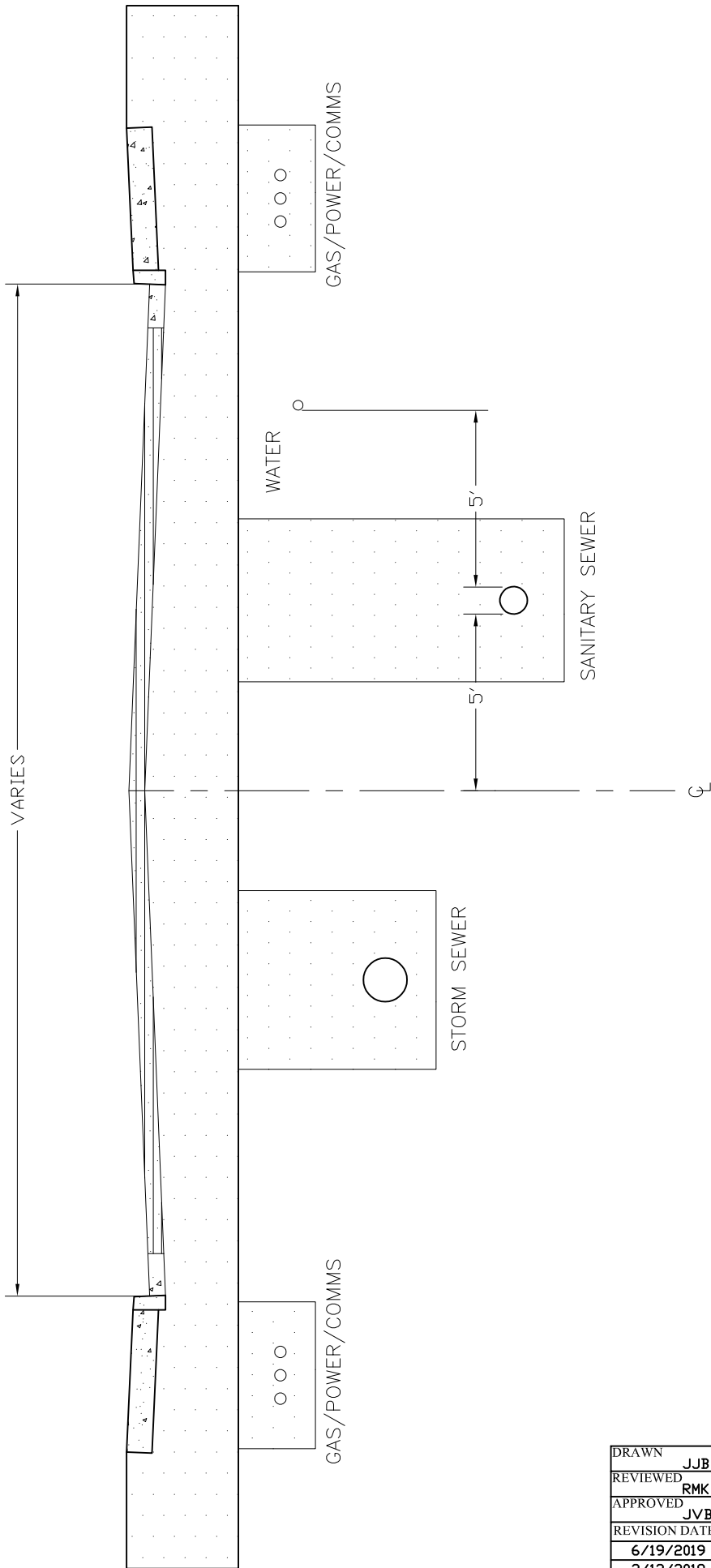
**NOTES:**

1. PIPE AND FITTINGS SHALL BE COMPATIBLE. ONLY MANUFACTURED FITTINGS SHALL BE USED.
2. TYPICAL MINIMUM DEPTH OF BUILDING SEWER AT RIGHT OF WAY OR EASEMENT LINE SHALL BE 4'.
3. MARKER POSTS AND BLOCKING SHALL BE TREATED WOOD. POST SHALL BE AN 8 FOOT LONG 2" X 4" FIR. POST TO EXTEND 12" MIN ABOVE FINISH GRADE AND EXPOSED AREA SHALL BE PAINTED GREEN. SEE RUSA STD DWG 445-130 FOR DETAILS.
4. INSTALL CLEAN OUT AT OR NEAR RIGHT-OF-WAY LINE. SEE RUSA STD DWG 445-130 FOR DETAILS.
5. FOR BEDDING AND BACKFILL SEE RUSA STD DWG 445-110.
6. MANUFACTURED TEE TO BE SET AT 45° FROM HORIZONTAL.
7. FOR TONING WIRE SPECIFICATIONS SEE ODOT STANDARD SPECIFICATION 00445.11 PARAGRAPH E.

DRAWN	JJB	PROJECT NAME	SANITARY SEWER STANDARDS
REVIEWED	RMK	TITLE	DEEP TRENCH BUILDING SEWER
APPROVED	JVB	ROSEBURG URBAN SANITARY AUTHORITY 1297 NE GRANDVIEW DR. P.O. BOX 1185 ROSEBURG OR, 97470 PHONE: (541)-672-1551	
REVISION DATE	6/19/2019		
	5/24/2019		
	3/13/2019		



SCALE: NTS SHEET NO. 445-140



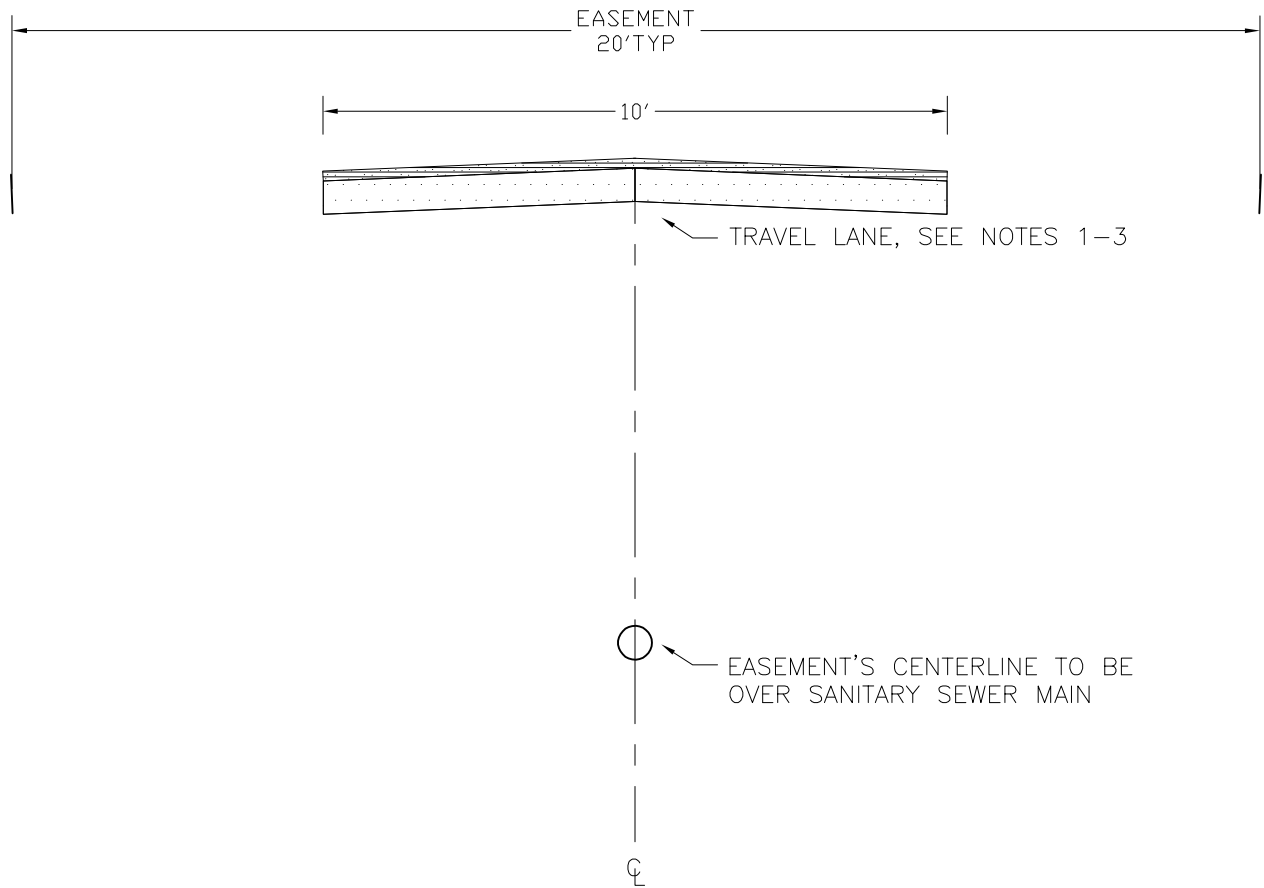
- NOTES:
1. SANITARY SEWER MAIN SHALL BE 5' FROM CENTERLINE OF ROAD IN TRAVEL LANE OPPOSITE OF STORM SEWER WHEN APPLICABLE.
  2. OTHER PARALLEL UTILITIES SHALL MAINTAIN A 5' LATERAL DISTANCE FROM SANITARY SEWER MAIN.

DRAWN	JJB	PROJECT NAME	SANITARY SEWER STANDARDS
REVIEWED	RMK	TITLE	NEW DEVELOPMENT
APPROVED	JVB	TITLE	SANITARY SEWER LOCATION
REVISION DATE	6/19/2019	ROSEBURG URBAN SANITARY AUTHORITY 1297 NE GRANDVIEW DR. P.O. BOX 1185 ROSEBURG OR, 97470 PHONE: (541)-672-1551	
	3/13/2019		
	12/17/2018		



SCALE: NTS  
SHEET NO. 445-150





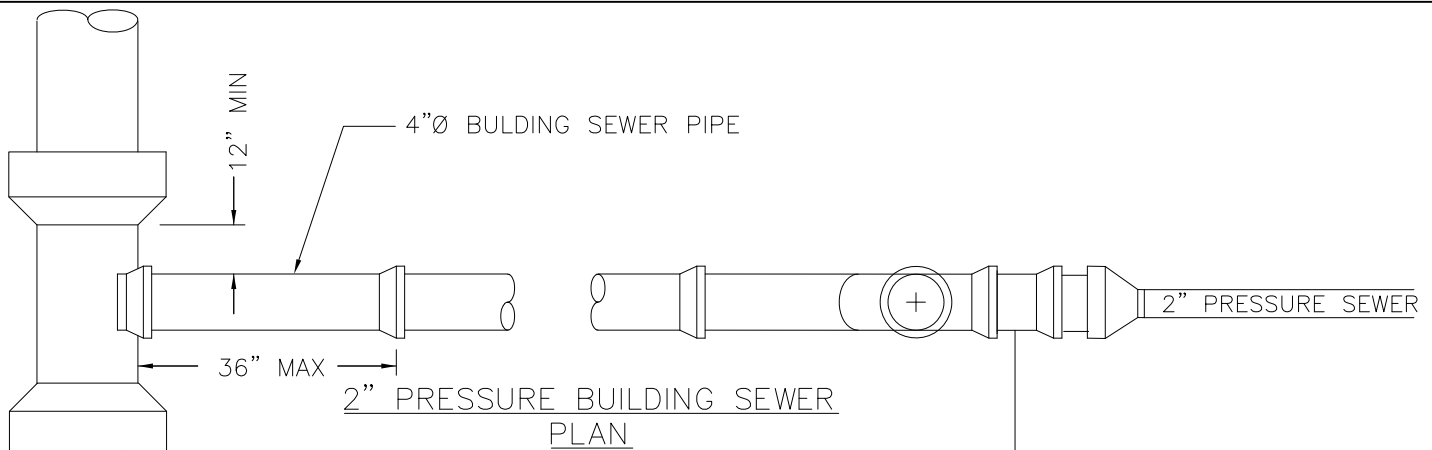
NOTES:

1. TRAVEL LANE IN EASEMENT SHALL BE A MIN OF 3" OF AC ON 12" OF AGGREGATE BASE.
2. TRAVEL LANE TO SPAN THE ENTIRE LENGTH OF EASEMENT UNLESS OTHERWISE APPROVED BY RUSA.
3. SHOULD TERRAIN PREVENT TRAVEL LANE FROM BEING IN THE CENTER OF EASEMENT, OTHER DESIGNS MAY BE SUBMITTED TO RUSA FOR APPROVAL, THE DESIGN SHOULD NOT PLACE THE TRAVEL LANE MORE THAN 3' FROM SEWER MAIN. ADDITIONAL EASEMENT WIDTH MAY BE NEEDED.

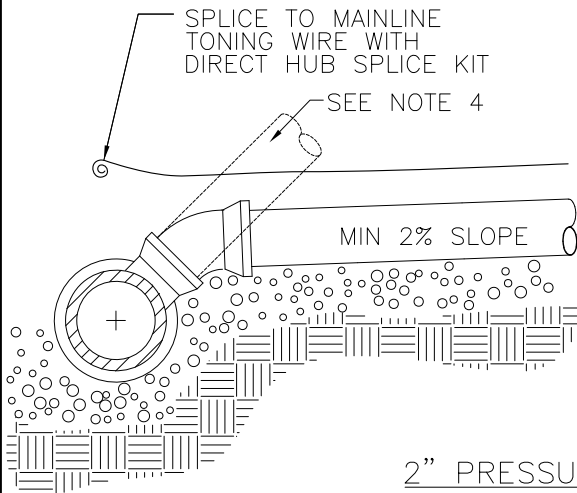
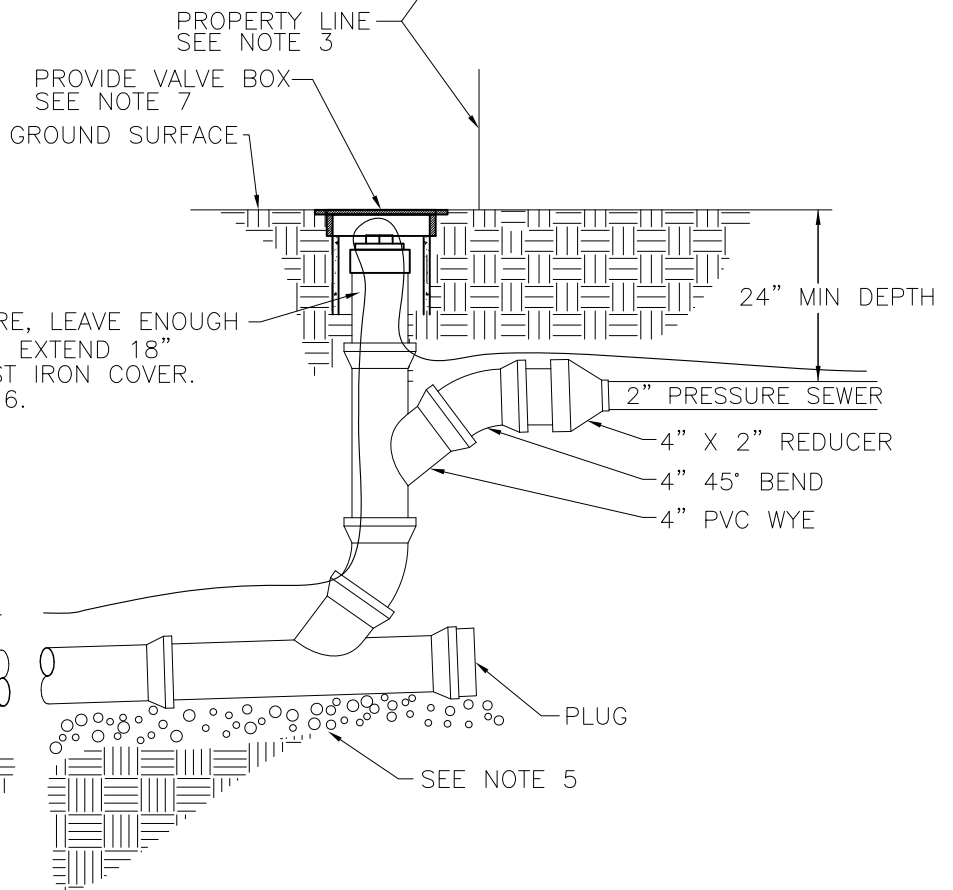
DRAWN	JJB	PROJECT NAME	SANITARY SEWER STANDARDS
REVIEWED	RMK	TITLE	SANITARY SEWER EASEMENT
APPROVED	JVB	ROSEBURG URBAN SANITARY AUTHORITY	1297 NE GRANDVIEW DR. P.O. BOX 1185
REVISION DATE	6/19/2019	ROSEBURG OR, 97470	PHONE: (541)-672-1551
	6/13/2019		



SCALE: NTS SHEET NO. 445-160



1. MANUFACTURED TEE FITTING ON NEW SEWERS 24" AND SMALLER
2. USE INSERT-A-TEE ON ALL EXISTING SEWER MAINS (RUSA SHALL INSTALL INSERT-A-TEE)

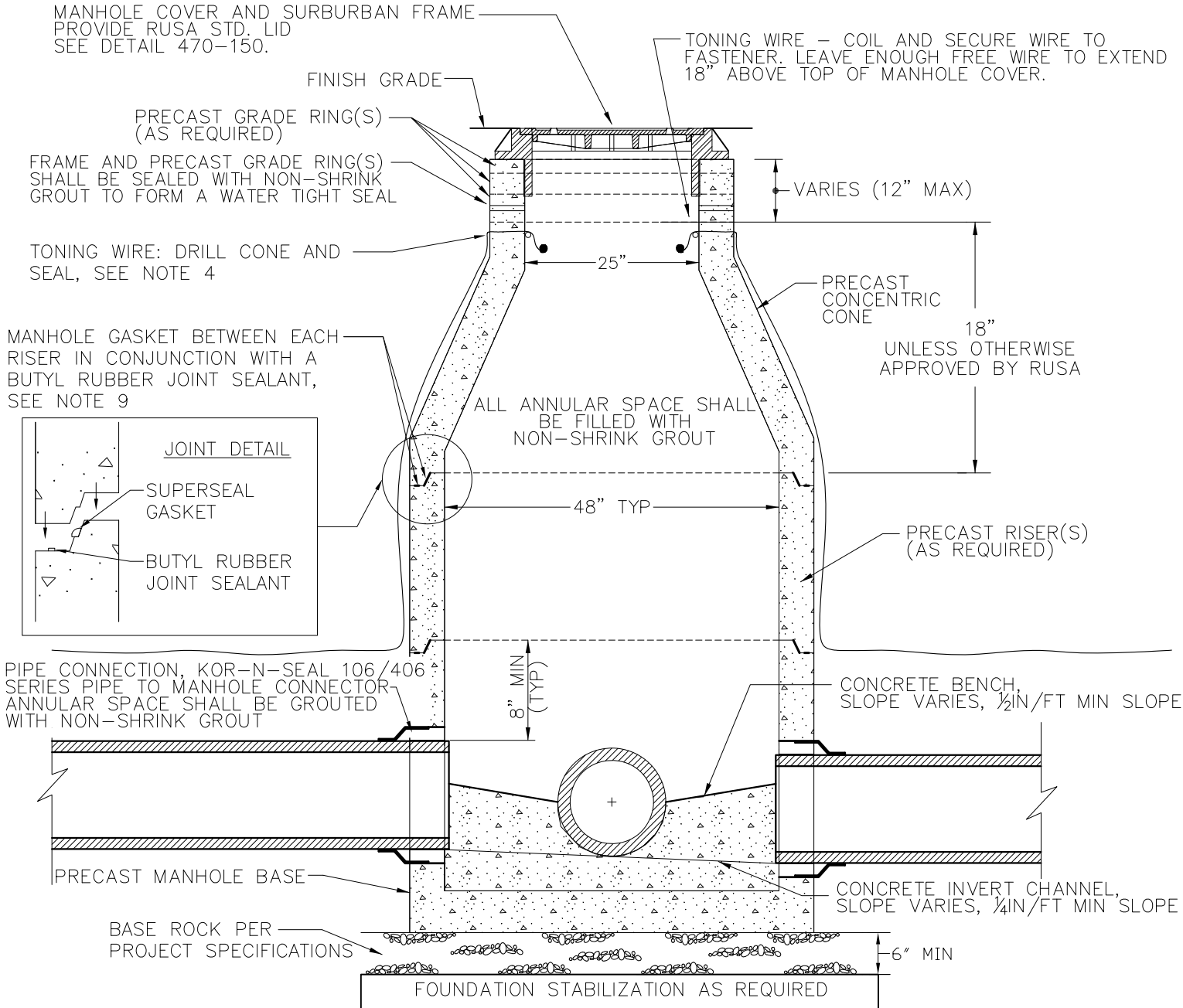


**2" PRESSURE BUILDING SEWER PROFILE**

- NOTES:**
1. PIPE AND FITTINGS SHALL BE COMPATIBLE. ONLY MANUFACTURED FITTINGS SHALL BE USED.
  2. TYPICAL MINIMUM DEPTH AT RIGHT OF WAY OR EASEMENT LINE SHALL BE 4'.
  3. INSTALL CLEAN OUT AT OR NEAR RIGHT-OF-WAY LINE.
  4. LAY BUILDING SEWER AT MAX 45° FROM HORIZONTAL TO ACHIEVE REQUIRED DEPTH AT PROPERTY LINE WHEN MINIMUM SLOPE RESULTS IN EXCESSIVE DEPTH OF OVER 4' (SEE RUSA DEEP TRENCH BLDG SEWER STD DWG 445-140).
  5. FOR BEDDING AND BACKFILL SEE RUSA STD DWG 445-110.
  6. FOR TONING WIRE SPECS SEE ODOT 00445.11 PARAGRAPH E.
  7. BROOKS 1-RT SEE RUSA CLEANOUT STD DWG 445-120

DRAWN	JJB	PROJECT NAME	SANITARY SEWER STANDARDS
REVIEWED	RMK	TITLE	2" PRESSURE BUILDING SEWER
APPROVED	JVB	ROSEBURG URBAN SANITARY AUTHORITY 1297 NE GRANDVIEW DR. P.O. BOX 1185 ROSEBURG OR, 97470 PHONE: (541)-672-1551	
REVISION DATE	10/7/2020	SCALE: NTS	
	7/2/2020	SHEET NO. 445-170	




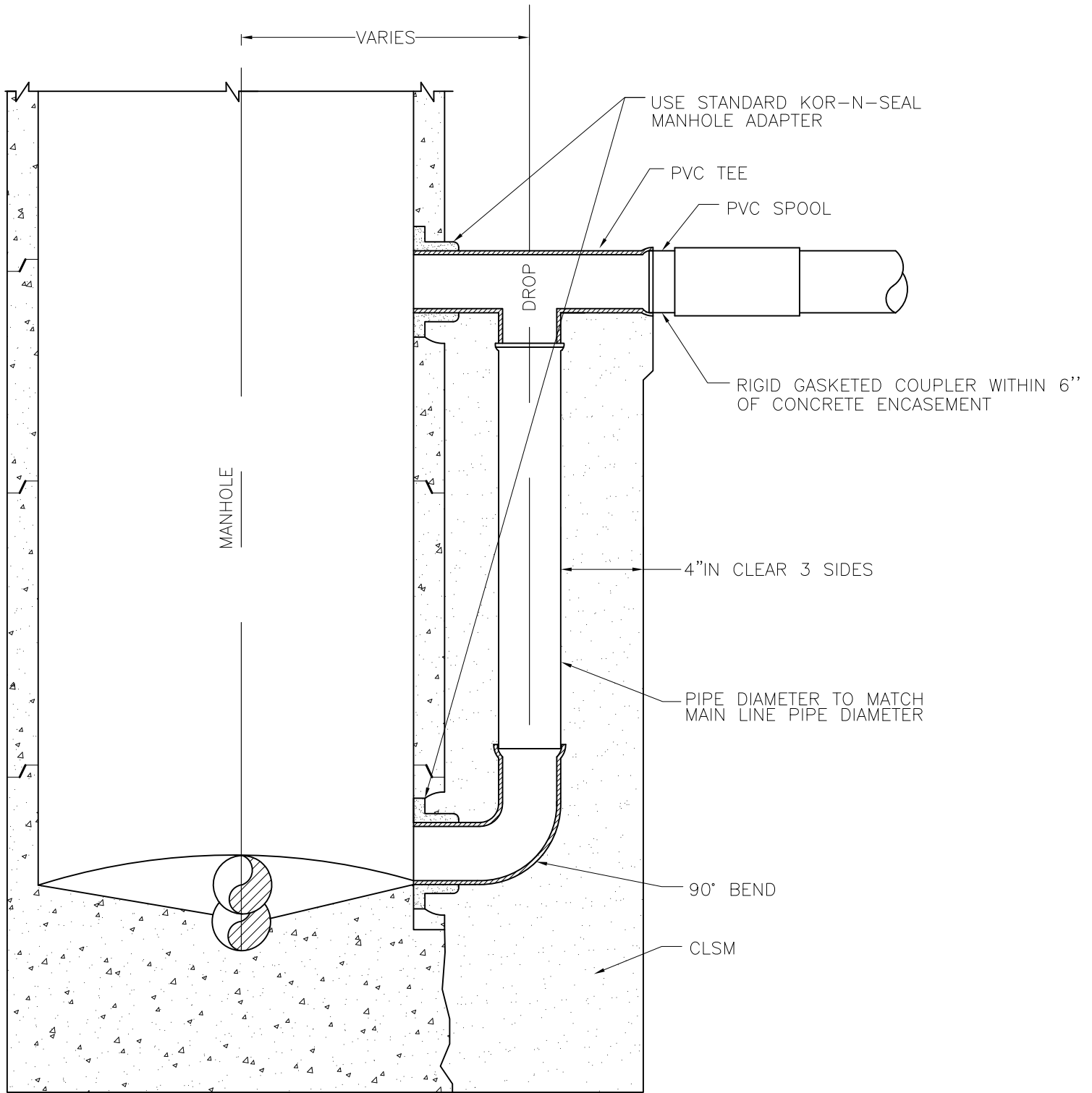


**STANDARD SANITARY SEWER MANHOLE**

**NOTES:**

1. ALL PRECAST PRODUCTS SHALL CONFORM TO REQUIREMENTS OF ASTM C478. OR APPROVED EQUAL
2. STANDARD PRECAST MANHOLE SECTION DIAMETER SHALL BE 48". OTHER DIAMETER MANHOLES ALLOWED ONLY WITH RUSA'S APPROVAL.
3. INVERT CHANNELS SHALL BE FACTORY INSTALLED AND CONSTRUCTED TO PROVIDE SMOOTH SLOPES AND RADII TO OUTLET PIPE.
4. ALL CONNECTING PIPES SHALL HAVE A TONING WIRE, OR APPROVED ALTERNATE. FOR TONING WIRE SPECIFICATIONS SEE ODOT STANDARD SPECIFICATION 00445.12 PARAGRAPH E.
5. LOCATION, ELEVATION, DIAMETER, SLOPE, AND NUMBER OF PIPES VARY, SEE PROJECT PLANS.
6. ALL NEW MANHOLES SHALL BE TESTED PER ASTM C1244-11.
7. ALL BUILDING SEWERS SHALL CONNECT THROUGH KOR-N-SEALS AND BE LAID AT A MIN SLOPE OF 1/4" PER FOOT UNLESS AUTHORIZED BY RUSA TO REDUCE THAT MINIMUM TO 1/8" PER FOOT.
8. TO INSTALL A BUILDING SEWER MORE THAN 24" ABOVE THE FLOW LINE A PIPED INSIDE DROP MUST BE APPROVED, SEE RUSA STD DWG 470-130.
9. MANHOLE RUBBER GASKET SHALL BE TYLOX® SUPERSEAL™ GASKET OR APPROVED EQUAL.

DRAWN	JJB	PROJECT NAME	SANITARY SEWER STANDARDS
REVIEWED	RMK	TITLE	STANDARD MANHOLE
APPROVED	JVB	ROSEBURG URBAN SANITARY AUTHORITY 1297 NE GRANDVIEW DR. P.O. BOX 1185 ROSEBURG OR, 97470 PHONE: (541)-672-1551	
REVISION DATE	7/2/2020	SCALE:	NTS
	6/19/2019	SHEET NO.	470-100
	6/10/2019		



TYPICAL OUTSIDE DROP MANHOLE  
FOR MAINLINES AND BUILDING SEWERS

DRAWN	JJB	PROJECT NAME	SANITARY SEWER STANDARDS
REVIEWED	RMK	TITLE	OUTSIDE DROP
APPROVED	JVB	ROSEBURG URBAN SANITARY AUTHORITY 1297 NE GRANDVIEW DR. P.O. BOX 1185 ROSEBURG OR, 97470 PHONE: (541)-672-1551	
REVISION DATE	6/30/2020	SCALE:	NTS
	6/19/2019	SHEET NO.	470-110
	12/17/2018		



SCALE: NTS  
SHEET NO. 470-110

PIPE PROJECTING  
BEYOND INTERIOR  
SURFACE OF MANHOLE  
WALL IS NOT ALLOWED

WATERTIGHT  
SEAL

24" MAX

PIPE TYPE, SIZE, AND  
CONNECTION PER PLAN, AS  
APPROVED

CONSTRUCT CHANNEL AND SLIDE  
SIMULTANEOUSLY

VARIABLE DIA.

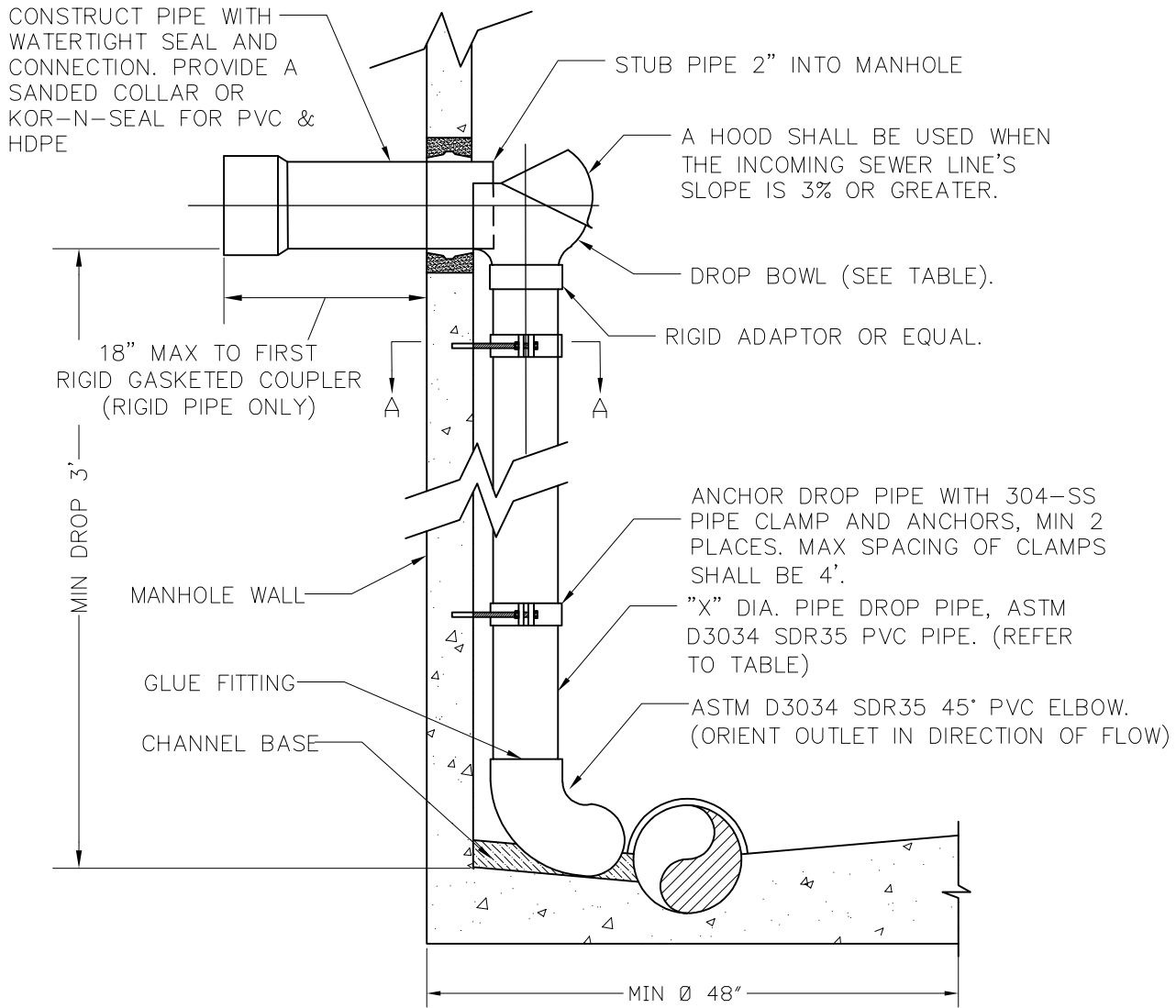
KOR-N-SEAL

ALL INSIDE DROPS REQUIRE  
PRIOR APPROVAL FROM RUSA

OPEN INSIDE DROP WITH BEAVER SLIDE  
(8"Ø OR GREATER)

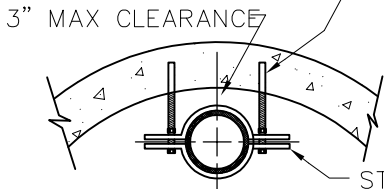
DRAWN	JJB	PROJECT NAME	SANITARY SEWER STANDARDS
REVIEWED	RMK	TITLE	INSIDE DROP WITH BEAVER SLIDE
APPROVED	JVB	ROSEBURG URBAN SANITARY AUTHORITY	1297 NE GRANDVIEW DR. P.O. BOX 1185 ROSEBURG OR, 97470 PHONE: (541)-672-1551
REVISION DATE	6/19/2019	SCALE:	NTS
	5/24/2019	SHEET NO.	470-120
	12/17/2018		





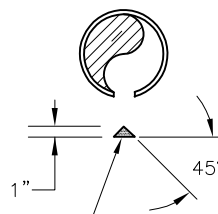
PIPED INSIDE DROP CONNECTION WITH DROP BOWL

2-304 SS 1/2" ANCHOR BOLTS PER CLAMP EMBEDDED 1-1/2" INTO MANHOLE WALL, BOLT LENGTH VARIES.



SECTION A-A CLAMP DETAIL

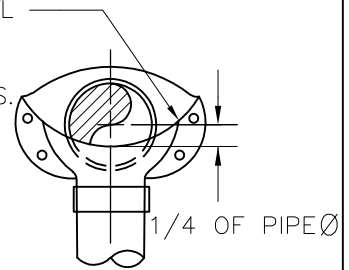
STAINLESS STEEL PIPE CLAMP



CUT A "V" NOTCH 2"Wx1"D AT THE INVERT OF THE INCOMING PIPE.

"V" NOTCH DETAIL

SILICONE SEAL BOWL TO MANHOLE WALL. SECURE WITH 3/8" O.D. ANCHOR BOLTS.



DROP BOWL W/ HOOD DETAIL

INCOMING SEWER SIZE	DROP PIPE SIZE "X"	DROP BOWL MODEL
8" DIA.	6" DIA.	A-6
10" DIA.	8" DIA.	B-8
12" DIA.	10" DIA.	B-10

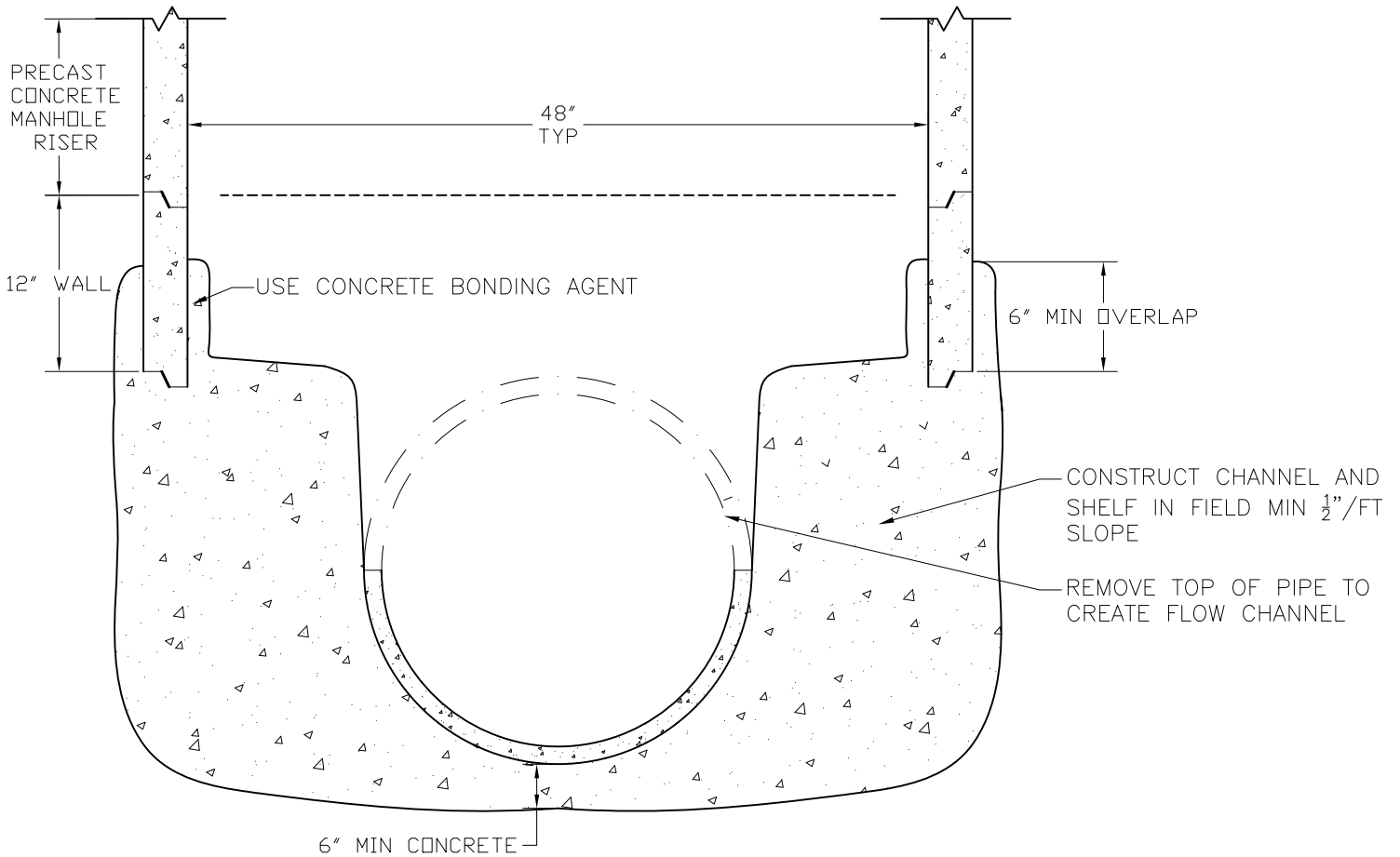
NOTES:

- ALL INSIDE DROPS MUST HAVE RUSA'S PRIOR APPROVAL.

DRAWN	JJB	PROJECT NAME	SANITARY SEWER STANDARDS
REVIEWED	RMK	TITLE	PIPED INSIDE DROP
APPROVED	JVB	ROSEBURG URBAN SANITARY AUTHORITY 1297 NE GRANDVIEW DR. P.O. BOX 1185 ROSEBURG OR, 97470 PHONE: (541)-672-1551	
REVISION DATE	6/19/2019		
	3/13/2019		
	12/17/2018		



SCALE: NTS SHEET NO. 470-130



TYPICAL POUR IN PLACE MANHOLE BASE  
LARGE DIAMETER CONCRETE PIPE

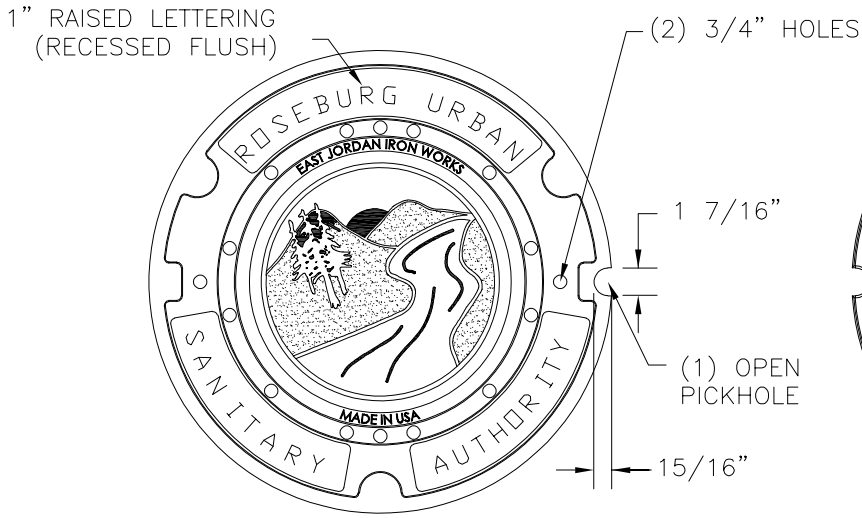
**NOTES:**

1. ALL Poured in place concrete shall have a 28 day strength of 3300 PSI and a slump of 2"-4".

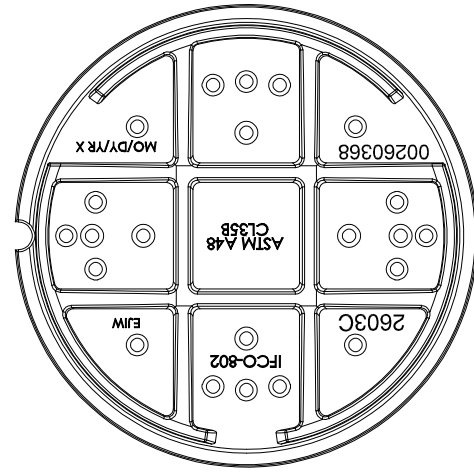
DRAWN	JJB	PROJECT NAME	SANITARY SEWER STANDARDS
REVIEWED	RMK	TITLE	POUR IN PLACE MH
APPROVED	JVB	ROSEBURG URBAN SANITARY AUTHORITY 1297 NE GRANDVIEW DR. P.O. BOX 1185 ROSEBURG OR, 97470 PHONE: (541)-672-1551	
REVISION DATE	6/30/2020		
	6/19/2019		
	5/24/2019		



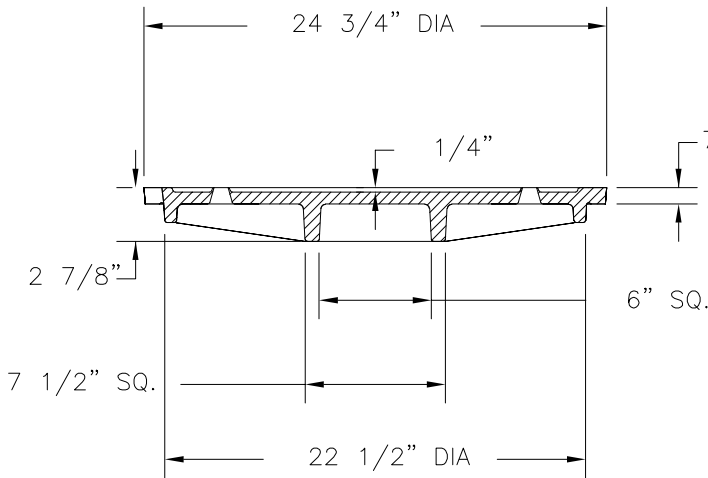
SCALE: NTS SHEET NO. 470-140



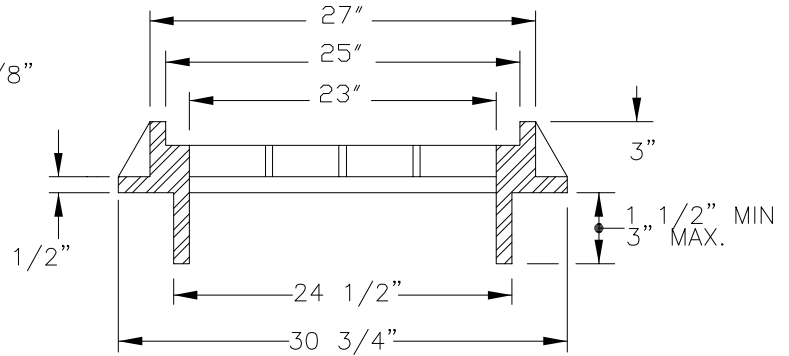
COVER FRONT



COVER BACK



COVER SECTION



SUBURBAN STYLE FRAME

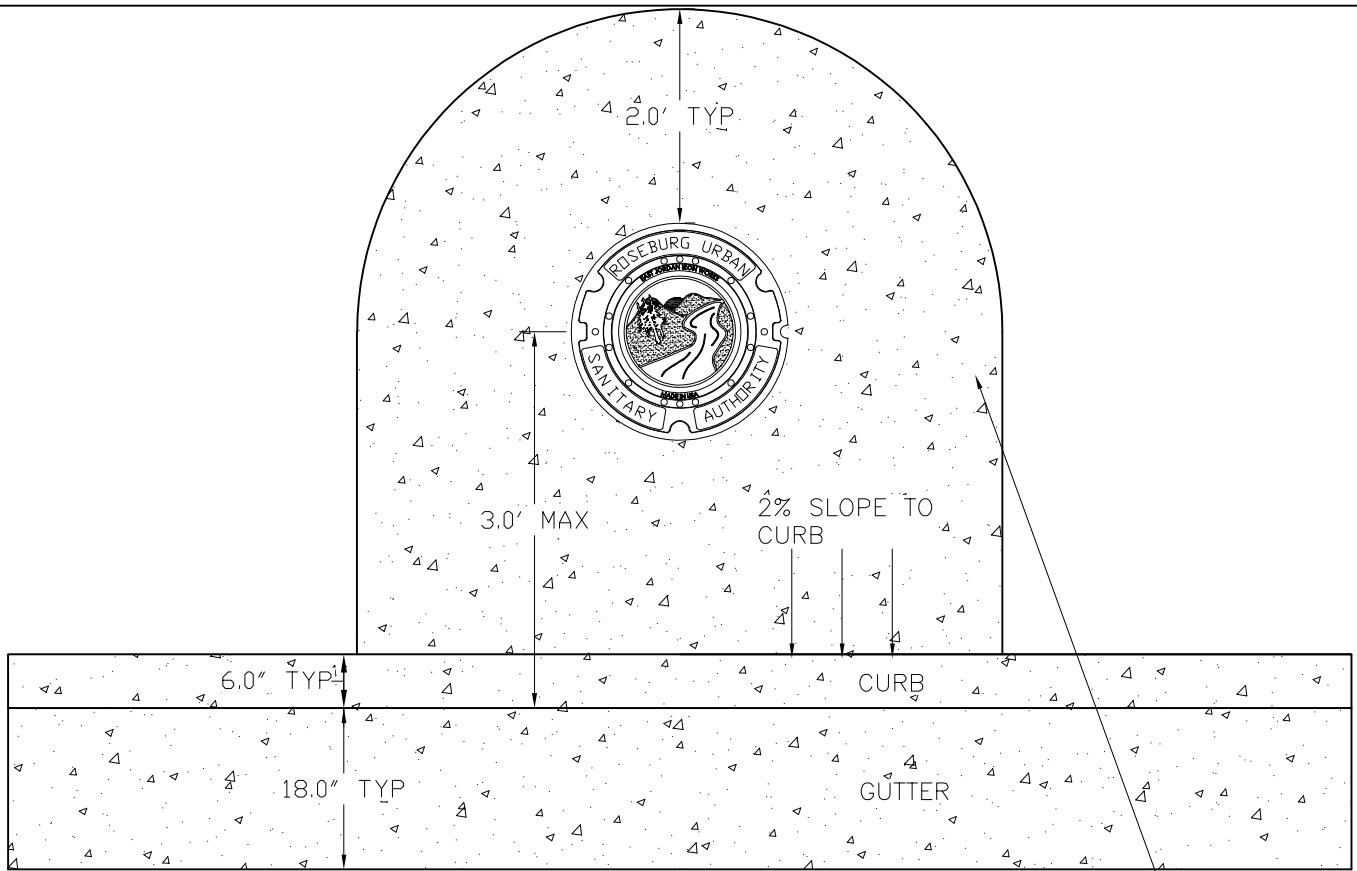
STANDARD SEWER MANHOLE COVER

APPROVED MANUFACTURERS  
 EAST JORDAN IRONWORKS  
 FRAME – PRODUCT NO 260111  
 COVER – PRODUCT NO 260368  
 D&L FOUNDARY  
 FRAME – PRODUCT NO A-2017-61  
 COVER – PRODUCT NO A-2017-R2

DRAWN	JJB	PROJECT NAME	SANITARY SEWER STANDARDS
REVIEWED	RMK	TITLE	FRAME & COVER
APPROVED	JVB	ROSEBURG URBAN SANITARY AUTHORITY 1297 NE GRANDVIEW DR. P.O. BOX 1185 ROSEBURG OR, 97470 PHONE: (541)-672-1551	
REVISION DATE	6/19/2019	SCALE:	NTS
	3/13/2019	SHEET NO.	470-150
	12/17/2018		

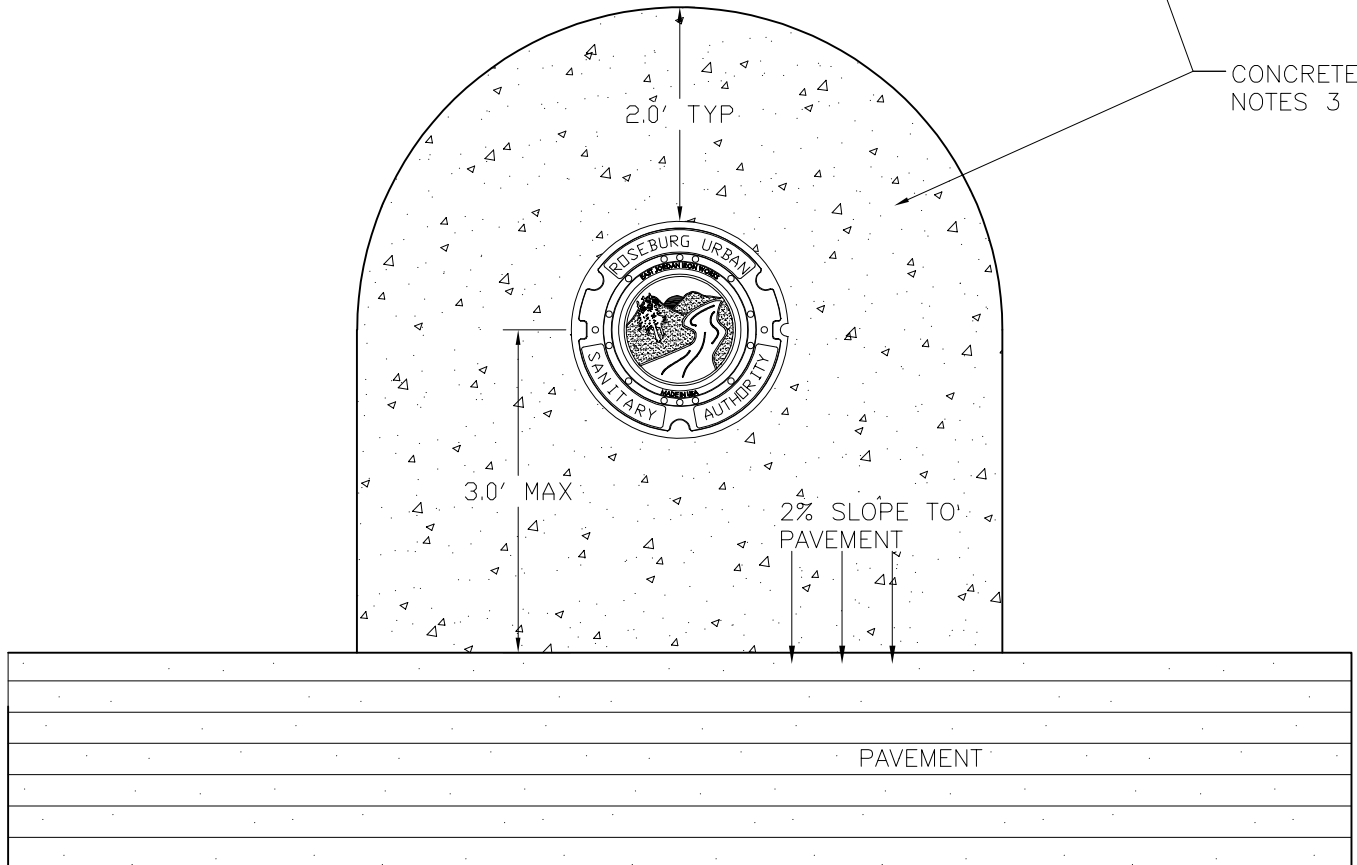






MANHOLE APRON ADJACENT TO CURB AND GUTTER

CONCRETE SEE NOTES 3 & 4



MANHOLE APRON ADJACENT TO PAVEMENT

NOTES:

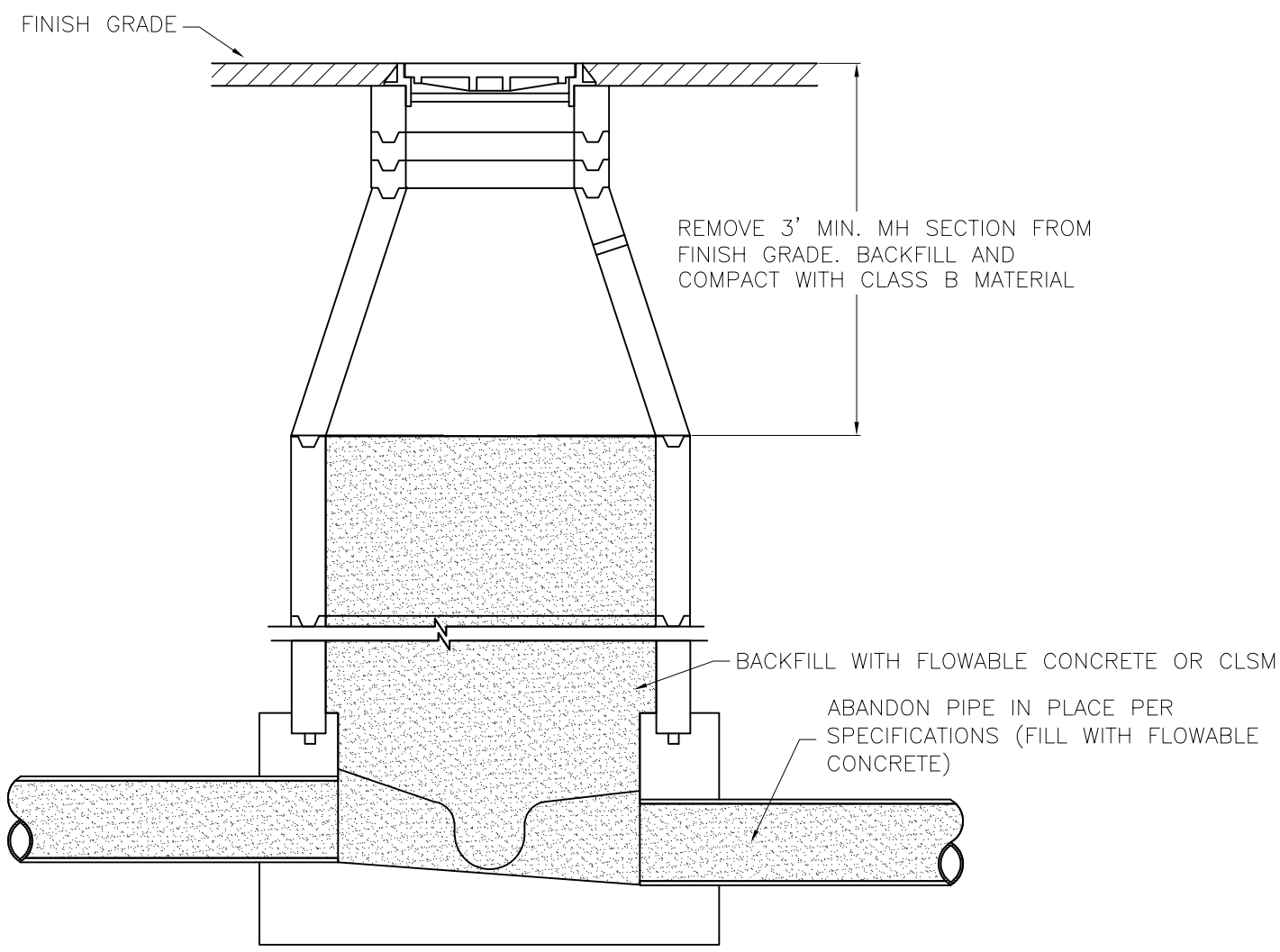
1. ALL POURED IN PLACE CONCRETE SHALL HAVE A 28 DAY STRENGTH OF 3300 PSI AND A SLUMP OF 2"-4".
2. ADJACENT PAVING MATERIAL SHALL MATCH THE EXISTING OR PROPOSED PAVING.
3. CONCRETE MIN THICKNESS 6".
4. #4 REBAR TO BE PLACED 12" O.C. EACH WAY.

DRAWN	JJB
REVIEWED	RMK
APPROVED	JVB
REVISION DATE	
	6/19/2019
	5/30/2019
	3/13/2019

PROJECT NAME	SANITARY SEWER STANDARDS
TITLE	MANHOLE APRON
ROSEBURG URBAN SANITARY AUTHORITY 1297 NE GRANDVIEW DR. P.O. BOX 1185 ROSEBURG OR, 97470 PHONE: (541)-672-1551	




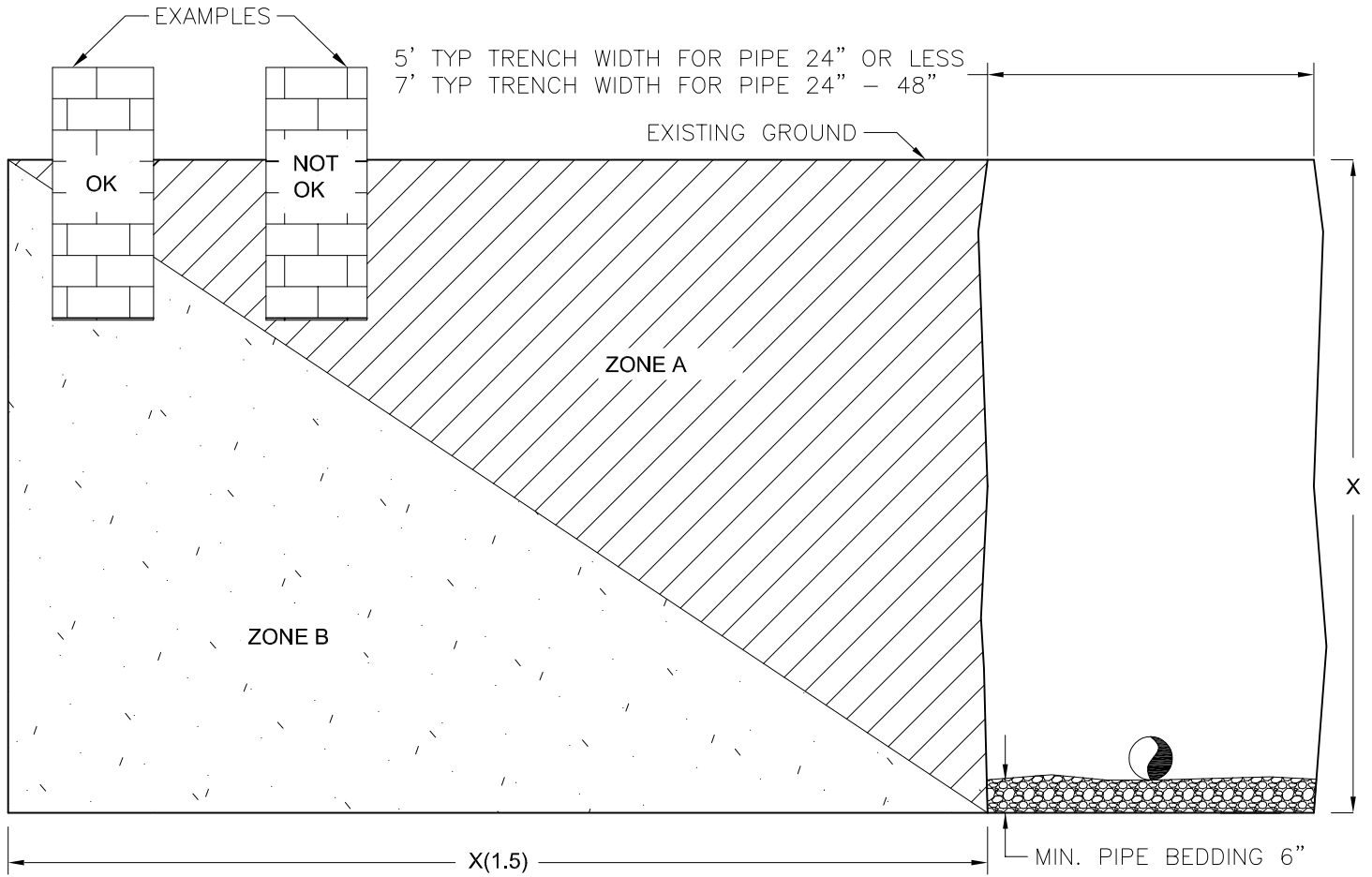
SCALE:	NTS	SHEET NO.	470-160
--------	-----	-----------	---------



TYPICAL MANHOLE (ABANDONED)

(OPTION: REMOVE MANHOLE AND BACKFILL/COMPACT WITH CLASS B MATERIAL)


DRAWN	JJB	PROJECT NAME	SANITARY SEWER STANDARDS	
REVIEWED	RMK	TITLE	ABANDONED MANHOLE	
APPROVED	JVB	ROSEBURG URBAN SANITARY AUTHORITY 1297 NE GRANDVIEW DR. P.O. BOX 1185 ROSEBURG OR, 97470 PHONE: (541)-672-1551		
REVISION DATE	6/19/2019	SCALE:	NTS	
	12/17/2018			490-100
	12/14/2018			



SEWER PROXIMITY BUILDING DETAIL

**NOTES:**

1. NO CONSTRUCTION WILL BE PERMITTED WHERE THE WEIGHT OF THE NEW CONSTRUCTION'S LOAD BEARS IN ZONE "A" WITHOUT AN APPROVED ENGINEER'S SUBMITTAL TO ROSEBURG URBAN SANITARY AUTHORITY.
2. PIPE DIAMETER AND DEPTH (X) CAN BE OBTAINED FROM ROSEBURG URBAN SANITARY AUTHORITY.

DRAWN JJB	PROJECT NAME SANITARY SEWER STANDARDS	
REVIEWED RMK	TITLE SEWER PROXIMITY BUILDING DETAIL	
APPROVED JVB	ROSEBURG URBAN SANITARY AUTHORITY 1297 NE GRANDVIEW DR. P.O. BOX 1185	SCALE: NTS
REVISION DATE 6/19/2019	ROSEBURG OR, 97470 PHONE: (541)-672-1551	SHEET NO. 490-110
12/17/2018		
12/14/2018		